

# WG Series

## Mounting Ring Installation Instructions

### Ceiling Speakers

For speaker location please refer to the WG Series Owner's Manual or contact M&S Systems Technical Support at 1-800-366-9422

**Step 1.** Snap the wings into the mounting rings until the flaps are secured.

**Step 2.** Speaker mounting rings are used in the pre-construction phase of speaker installation during construction of new homes and additions. WG Series mounting rings are designed to provide drywall installers the correct cut-out pattern for the speakers. The mounting rings have "flaps" that are nailed/screwed/stapled onto the joist. See figure 1. Once the wall board is installed, the opening is cut out to mount the speaker.

When installing the mounting ring, note that there are holes molded into the mounting ring for speaker wire tie-off.

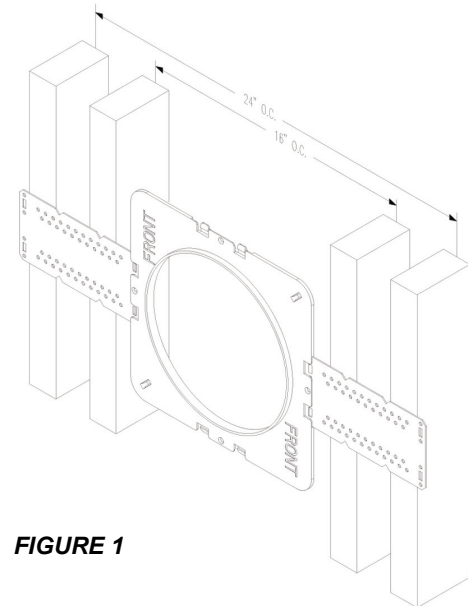


FIGURE 1

#### TIPS FOR NEW CONSTRUCTION

- If possible, run speaker wires after AC wiring is in place to avoid additional noise caused by close proximity of wiring.
- Secure the speaker wires against a joist with insulated staples, being careful not to pierce the wire insulation. Allow slack for building material expansion.
- Horizontal wire runs should be routed through holes drilled at equal heights in the joist.
- Do not install the actual speaker until the wall board is in place. Until then leave several feet of wire secured to the back of the mounting ring. The excess wire can be removed during final installation.
- During the drywall installation, make sure the speaker cut-out hole does not extend farther than 1/4 inch from the inside of the mounting ring. The flat rough-in rings and flaps are thin enough that they won't interfere with wall board installation.

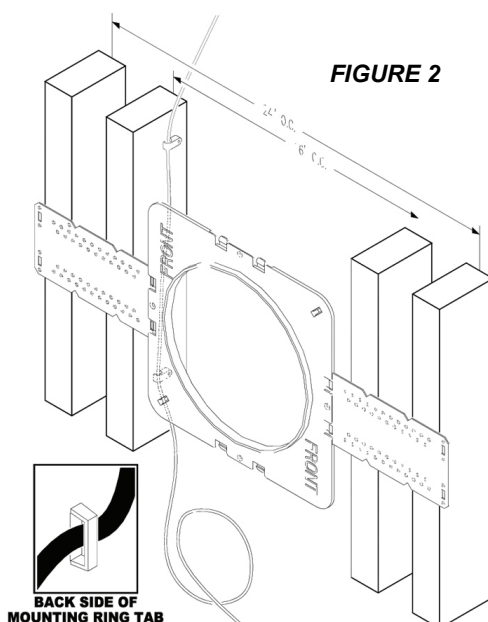
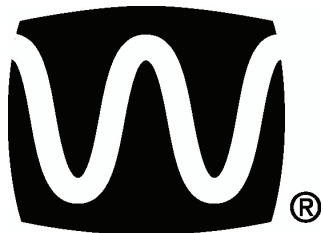


FIGURE 2

**Step 3.** After you have determined the speaker locations using the guidelines above, secure a 16 gauge 2 conductor cable to the mounting ring tabs (see figure 2), such as the M&S Systems MS16X, for attachment to the speakers after the dry wall has been installed. Leave at least 18 inches additional cable for the connection during final speaker installation. Run the other end of the speaker cable to the audio source.

**NOTE:** Make a drawing of each speaker location. This will assist you in locating the wires if they have been covered after the wall board has been installed.



# WG Series

## Mounting Ring Installation Instructions

### Wall Speakers

For speaker location please refer to the WG Series Owner's Manual or contact M&S Systems Technical Support at 1-800-366-9422

**Step 1.** Snap the wings into the mounting rings until the flaps are secured.

**Step 2.** Speaker mounting rings are used in the pre-construction phase of speaker installation during construction of new homes and additions. WG Series mounting rings are designed to provide drywall installers the correct cut-out pattern for the speakers. The rings have wings that are nailed/screwed/stapled onto the studs. See figure 3.

Once the wall board is installed, the opening is cut out and the speaker frame is inserted into the mounting ring.

When installing the mounting ring, note that there are holes molded into the mounting ring for speaker wire tie-off.

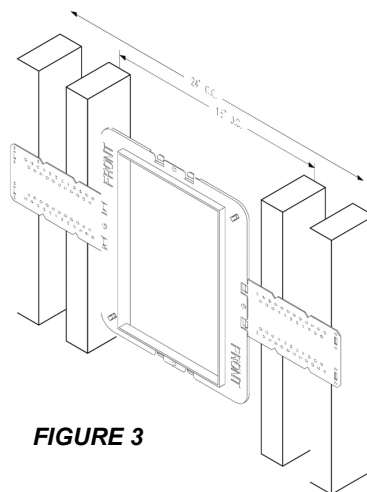


FIGURE 3

#### TIPS FOR NEW CONSTRUCTION

- Use a small level to verify that the mounting ring is straight.
- If possible, run speaker wires after AC wiring is in place to avoid additional noise caused by close proximity of wiring.
- Secure the speaker wires against a stud with insulated staples, being careful not to pierce the wire insulation. Allow slack for building material expansion.
- Horizontal wire runs should be routed through holes drilled at equal heights in the studs.
- Do not install the actual speaker until the wall board is in place. Until then leave several feet of wire secured to the back of the mounting ring. The excess wire can be removed during final installation.

During the drywall installation, make sure the speaker cut-out hole does not extend farther than 1/4 inch from the inside of the mounting ring. The flat rough-in rings and flaps are thin enough that they won't interfere with installation.

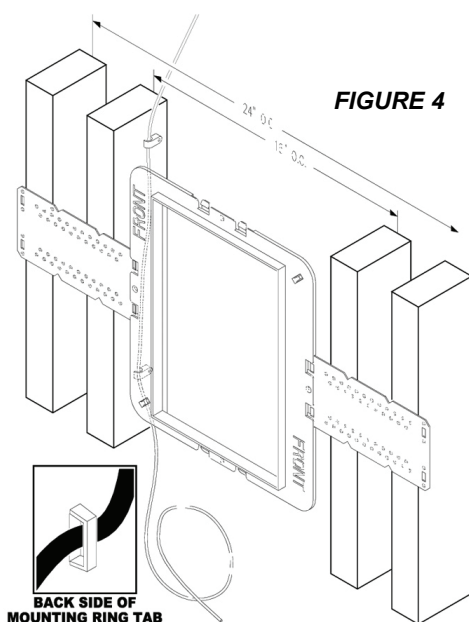


FIGURE 4

**Step 3.** After you have determined the speaker locations using the guidelines above, secure a 16 gauge 2 conductor cable to the mounting ring tabs (see figure 4), such as the M&S Systems MS16X, for attachment to the speakers after the dry wall has been installed. Leave at least 18 inches additional cable for the connection during final speaker installation. Run the other end of the speaker cable to the audio source.

**NOTE:** Make a drawing of each speaker location. This will assist you in locating the wires that have been covered after the sheet rock has been installed.