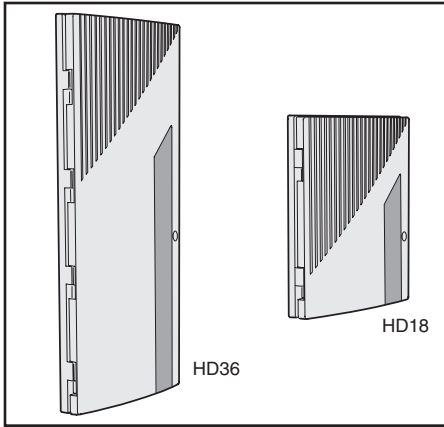


HD18 & HD36 Hinged Door Kit

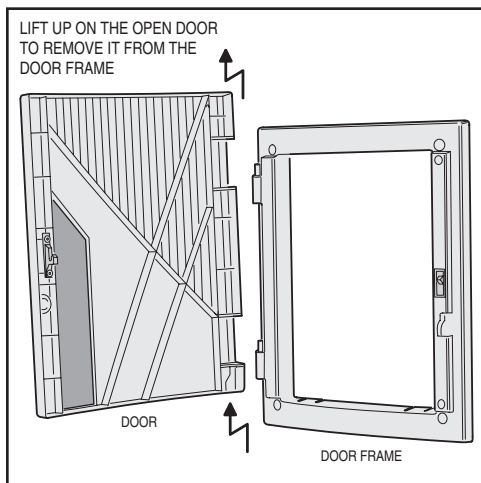
The HD18 & HD36 Hinged Door Depth Extension Kit attaches to the OpenHouse Models H318 and H336 structured wiring enclosures. The door kit adds the feature of an injection molded, lockable, light weight, removable door to an enclosure. The door kit adds over 1" of depth to the enclosure allowing larger power supplies to be used with the Model H290 & H291 AC power accessories. Component cooling is also improved using the door kit. The door kit can snap to, as well as be screwed to an enclosure. The door is supplied with a snap-action lock that retains the door to the door frame when closed. The optional Model H208 keylock can be installed for increased security.



Installation

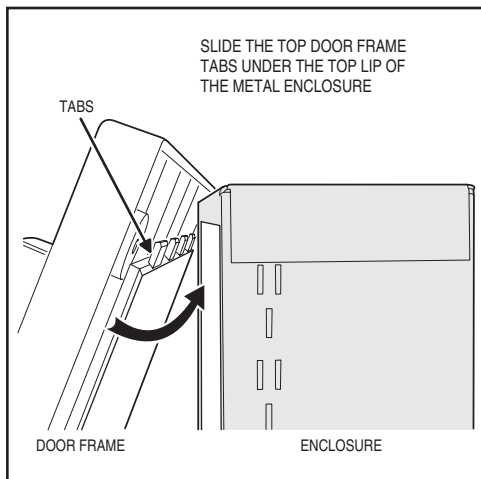
① PREPARE THE DOOR KIT FOR INSTALLATION

The door kit can be installed onto the mounted enclosure with the door on or off the door frame. To remove the door from the door frame, open, lift and remove the door. Carefully set the door aside.



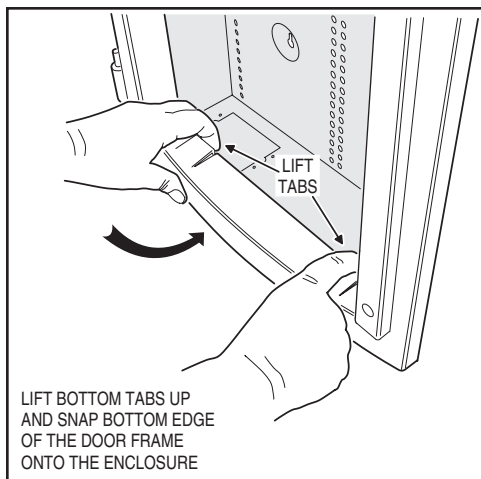
② ATTACH THE TOP EDGE OF THE FRAME TO THE ENCLOSURE

The inside top edge of the door frame has tabs that slide behind the top inside edge of the metal enclosure. Align the frame on the enclosure and slide the top tabs into place as shown in the figure.



③ SNAP THE BOTTOM EDGE OF THE FRAME TO THE ENCLOSURE

Swing the bottom edge of the frame towards the bottom edge of the enclosure. Lift the two locking tabs slightly and carefully press firmly on the bottom edge of the frame to engage the bottom locking tabs with the bottom inside edge of the metal enclosure.



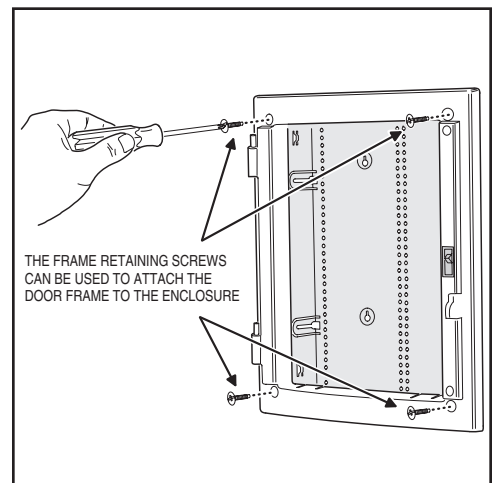
✓ **NOTE:** If the enclosure is mounted too deep in the wall to utilize the "snap action mounting", adjust the enclosure depth or use the frame retaining screws exclusively to attach the frame to the enclosure.



Installation

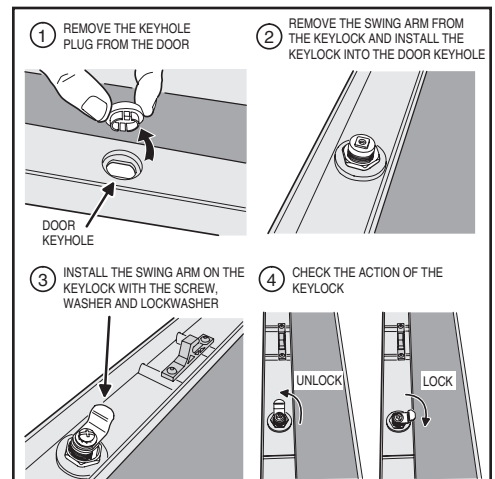
④ INSTALL FRAME RETAINING SCREWS (OPTIONAL)

The door frame can be secured with the tri-lobular screws provided (Model HD18 has 4 screws, Model HD36 has 6 screws). The screws can also be used when the enclosure is mounted too deep in the wall to use the door frame tabs. Insert and start the threads on all the screws first, then tighten each screw.



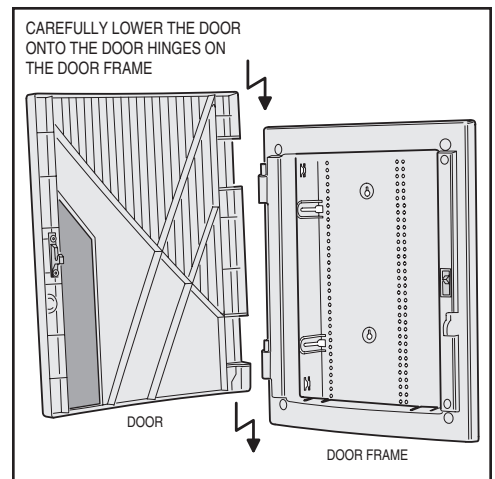
⑤ INSTALL MODEL H208 KEYLOCK (OPTIONAL)

The door is designed to accept the OpenHouse Model H208 keylock (sold separately). To install the keylock, first remove the keyhole plug, then install the H208 keylock as shown in the figure. (The keylock carton also shows the keylock assembly.)



⑥ HANG THE DOOR ON THE DOOR FRAME

Replace the door if it was removed from the door frame during installation. Align the door hinges over the posts on the door frame. Carefully lower the door onto the door frame, close the door and snap it shut.



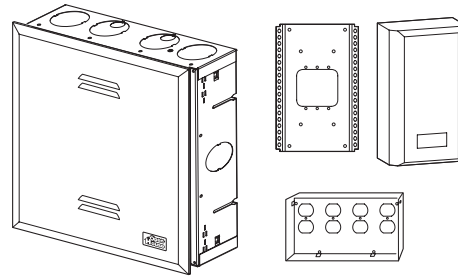
Good ... Typical room - phone, TV
 Media center - phone, satellite receiver, AV modulators
 Home office - phone, TV, cable modem
 Better ... Typical room - phone, TV, Ethernet
 Media center - phone, TV, Ethernet, satellite receiver, AV modulators
 Home office - phone, TV, Ethernet, cable modem
 Best ... Typical room - phone, TV, Ethernet, satellite receiver
 Media center - phone, TV, Ethernet, satellite receiver, AV modulators, hi-speed data
 Home office - phone, TV, Ethernet, satellite receiver, cable modem, hi-speed data

	Good	1 Cat-5	1 Cat-5	1 Cat-5
	Better	2 Cat-5	2 Cat-5	2 Cat-5
	Best	2 Cat-5	3 Cat-5	2 Cat-5
Typical Room		1 RG-6	3 RG-6	2 RG-6
Media Center		1 Cat-5	3 RG-6	3 RG-6
Home Office		1 Cat-5	2 Cat-5	3 RG-6

Wiring a house for OpenHouse®
 The cables in an OpenHouse® run from the various rooms of the house directly to the service center location. (This is known as 'home run' wiring.)
 Two types of wire are used for communication and entertainment: Cat-5, 4-UTP (4 Unshielded Twisted Pairs) wire handles data or 1 to 4 telephone lines. RG-6 coax handles television (antenna or cable), satellite dish, cable modem, or AV modulator signals. (An AV modulator creates new TV channels for front door camera, DVD player, a VCR or a satellite receiver.)
 We recommend the following pre-wire schemes. Run these wires from the service center to the rooms indicated.



OpenHouse® Enclosures, Modules, Accessories & Wall Plates

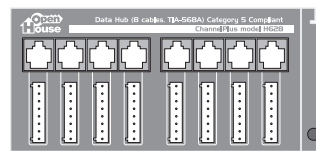
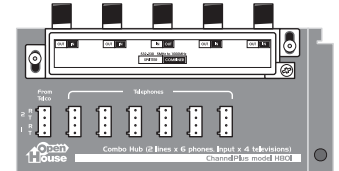


Service center enclosures

A full line of OpenHouse® compatible enclosures, from simple, inexpensive mounting plates to high capacity in-wall cabinets. AC outlets can be mounted inside the cabinets.

Starter systems

RF splitters and telephone punch downs. When it is time to upgrade, just snap this module out and replace with one or more of the more sophisticated units.

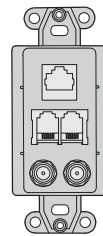
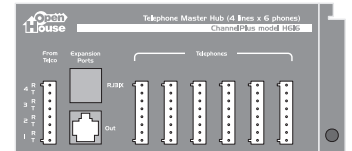


Data hubs

Termination blocks for the CAT-5e cables, Ethernet switches. Bring the Internet to any room in the home. Or create a home data network.

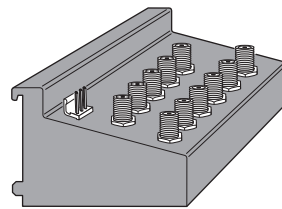
Telephone hubs

Connections for 1-4 phone lines to every room. Starter hub adds RJ-31X jack for security system dialer.



Wall plates

Wall plate systems for all rooms. The typical room gets TV and telephone. The home office wall plate adds data ports. The media center wall plate adds satellite feeds.

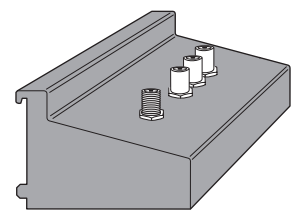


Coax panels

Distribute antenna or cable TV to every room of the house. Some models include bidirectional amplifiers for interactive cable systems. Some models include modulator inputs and IR engines.

AV modulators (for service center)

Create a new TV channel for a front door camera. Some models feature Cat-5 input connections.

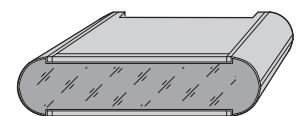


AV modulators (for media center)

Create new TV channels for DVD, VCR, or a satellite receiver. These modulators sit in the media center. Some offer true MTS stereo.

IR Accessories

Control video devices from any room.



New OpenHouse® products are added all the time. Visit our web site to learn more: www.openhousesystem.com

Hinged Door Kit Models HD18 & HD36



Linear LLC

2055 Corte Del Nogal, Carlsbad, CA 92009, USA
 760-438-7000 800-999-5225 fax: 760-931-1340

www.openhousesystem.com

© 2004 Linear LLC, Carlsbad, CA, USA

Warranty

Linear LLC warrants this OpenHouse product to be free from defects in material and workmanship for 15 years. The time period will be measured using the date code labeled on the product. Linear LLC is not responsible for damage to the product resulting from the buyer's improper handling, stocking or warehousing of the product. Any implied warranty arising from the sale of the product including implied warranties of merchantability and fitness for purpose are limited. Linear LLC shall not be responsible for any losses, damages or expenses, whether direct, consequential, or incidental arising from the use or the inability to use the product. Some states and countries do not allow limitations on how long an implied warranty lasts or the exclusion or limitation or incidental or consequential damages, so the above exclusions may not apply. The Linear LLC warranty gives specific legal rights in addition to other rights, which may exist and vary from state to state and country to country.
 The warranty is limited to repair or replacement of products returned, freight prepaid, to Linear LLC, there is NO PROVISION FOR LABOR COST OR OTHER REIMBURSEMENTS OF ANY KIND.
 1. Failures due to product abuse, such as negligence, improper use, and electrical surge including damage from lightning, water damage or other damage due to natural disasters are not covered by the warranty. The most common form of product abuse is surge damage caused by lightning.
 2. The warranty shall also be voided by any tampering with the date code, labels or other markings on the product.
 3. Products that are damaged in transit to Linear LLC due to improper packaging or by the carrier (shipping company) will not be covered under the warranty. If the product was damaged or lost by the carrier, it is the sender's responsibility to create a claim against the carrier.
 4. The user is responsible for all labor costs associated with removing, reinstalling and returning the product to Linear LLC.
 Linear LLC, at its option, will repair or replace the defective product. Replacements will be made from B-Stock, if an exact replacement is not available, Linear LLC, at its option, will select the nearest equivalent product. The user is responsible for freight charges to Linear LLC. Linear LLC will return warranted repaired or replacements by UPS Ground or an equivalent service. A customer may pay the additional costs for second-day or next-day service.
 All products returned for warranty service require a Return Product Authorization Number (RPA#). Contact Linear Technical Services at 1-800-999-5225 for an RPA# and other important details.