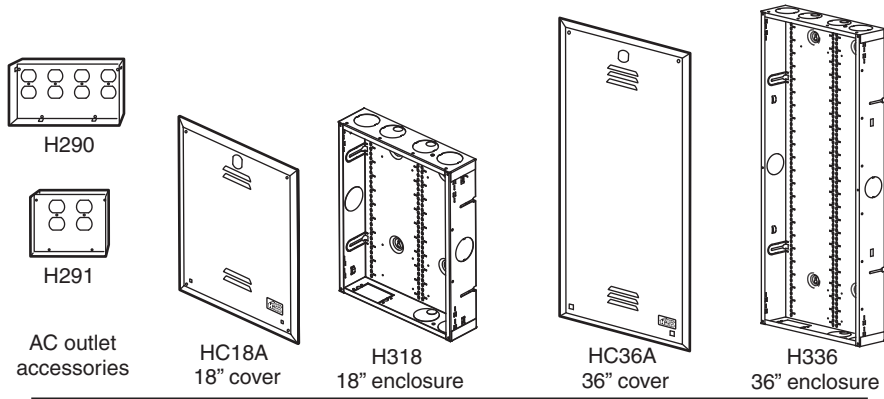


ChannelPlus® Enclosures

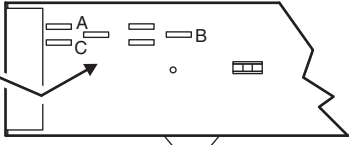


Mounting the enclosure

1. For tab mounting, install the mounting tabs

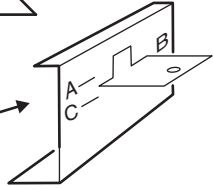
A. Select the proper slots for the wallboard thickness.

Slots A - For 3/8" wallboard
Slots B - For 1/2" wallboard
Slots C - For 5/8" wallboard



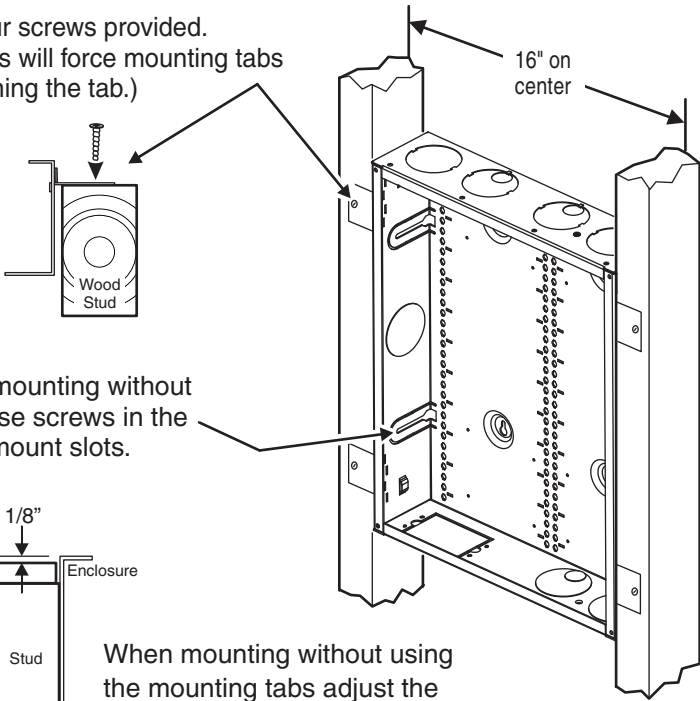
B. Insert mounting tab.

(Don't worry if the tabs seem loose - they tighten up when screwed to the studs.)

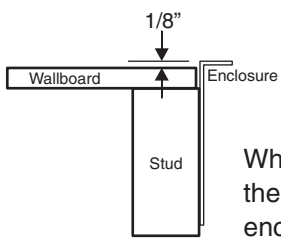


2. Attach enclosure

Use the four screws provided.
(The screws will force mounting tabs flat, tightening the tab.)



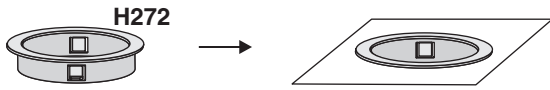
Or, when mounting without the tabs, use screws in the four slide mount slots.



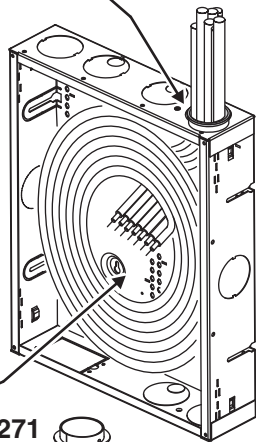
When mounting without using the mounting tabs adjust the enclosure to protrude 1/8" beyond the wallboard surface.

Installing cables

Remove the knockouts as needed and line the holes with the grommets provided.



H272 Grommet

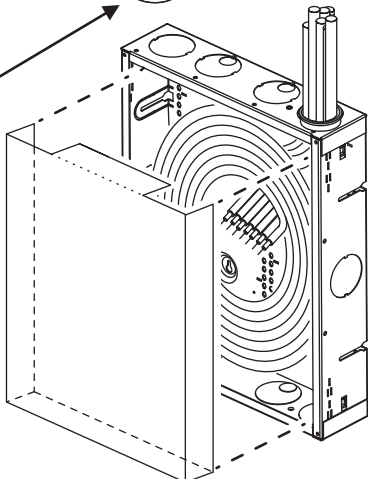


The H318 and H336 enclosures include H272 grommets. If you need more grommets, they are available as part number H272.

Remove paint shield and save. Route cabling into enclosure.

H271 Coupling tube

Use H271 (not included) to join 2 or more enclosures.

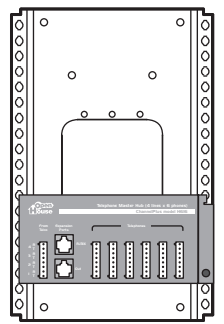
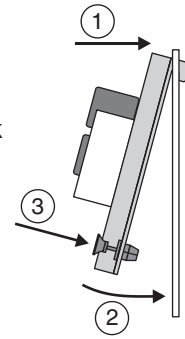


After cabling is routed, reverse paint shield and return it to the enclosure to protect cabling.

If H290 is installed, fold flaps on the paint shield to bend the shield over the H290 AC outlet accessory.

OpenHouse modules attach from the top

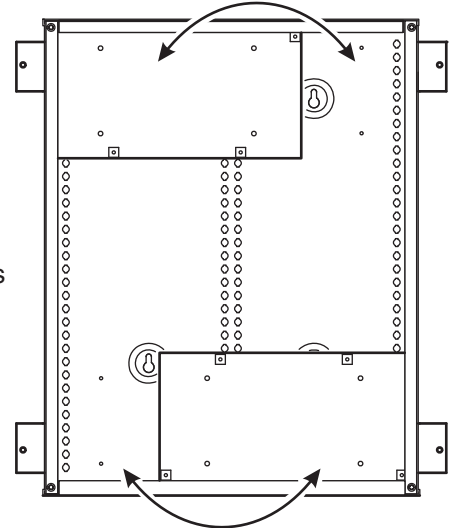
- 1) Hook from the top
- 2) Swing into place
- 3) Push button to lock



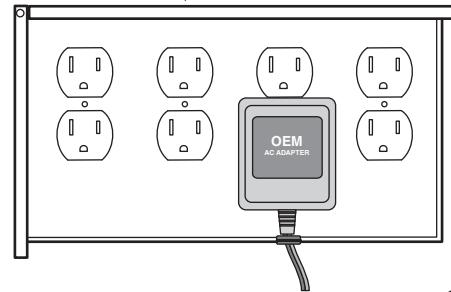
Mounting the H290/H291 AC outlet accessory

H290/H291 installs in any of 4 locations

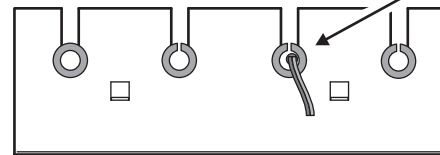
The H290/H291 accessory brings AC power inside the H318 and H336 enclosures. The H290/H291 gives the installer a clean location to mount power adapters. Mount the H290/H291 in any corner of the enclosure using the four #6 screws provided. Installation of AC outlets should be done only by a qualified electrician.



1/2" knockouts for 120VAC

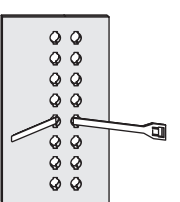
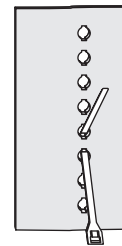
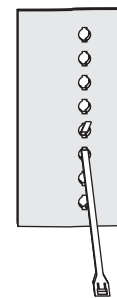
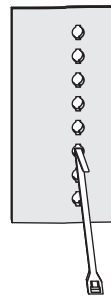


The H290/(H291) provides space for 4/(2) standard duplex receptacles. Wires should exit the H290/(H291) using the grommets provided. The grommets may be cut as shown.



Using wire ties with the OpenHouse® grid

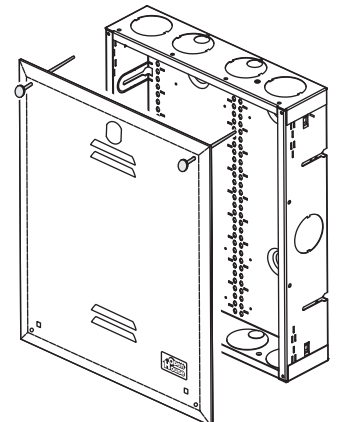
- 1) Fold back tip of wire tie and insert into hole
- 2) Push wire tie slowly into hole until tip snaps to next hole
- 3) Pull tip through second hole
- 4) Works horizontally too



Installing the cover

An old electrician's trick ...

When hanging a heavy cabinet cover, insert two nails (included) through the mounting holes on the cover. Guide the nails into the mating holes on the enclosure and let the cover hang from the nails while you attach the screws.



Grounding the cabinet

When used with model H290/H291 accessory, the grounding lug on the H290/H291 is used. Standard #10-32 grounding screws may be added to the tapped holes top or bottom.

Optional lock kit - H208

Remove knockouts on the cover to install optional lock kit H208. If an H290/H291 is used the cover must be fastened to the enclosure using the included screws (even when using the lock kit.) This is a UL requirement.

Good ...
 Typical room - phone, TV
 Media center - phone, satellite receiver, AV modulators
 Home office - phone, TV, cable modem
 Better ...
 Typical room - phone, TV, ethernet
 Media center - phone, TV, ethernet, satellite receiver, AV modulators
 Home office - phone, TV, ethernet, cable modem
 Best ...
 Typical room - phone, TV, ethernet, satellite receiver
 Media center - phone, TV, ethernet, satellite receiver, AV modulators, hi-speed data
 Home office - phone, TV, ethernet, satellite receiver, cable modem, hi-speed data

	1 Cat-5	1 Cat-5	1 Cat-5	Good
1 Cat-5	1 RG-6	1 RG-6	2 Cat-5	Better
2 Cat-5	2 Cat-5	2 Cat-5	2 Cat-5	Best
1 Cat-5	1 RG-6	3 RG-6	2 Cat-5	
2 Cat-5	2 Cat-5	3 Cat-5	3 Cat-5	
3 RG-6	3 RG-6	3 RG-6	3 RG-6	
1 Cat-5	1 Cat-5	1 Cat-5	1 Cat-5	
2 RG-6	2 RG-6	2 RG-6	2 RG-6	
3 RG-6	3 RG-6	3 RG-6	3 RG-6	
1 Cat-5	1 Cat-5	1 Cat-5	1 Cat-5	
2 RG-6	2 RG-6	2 RG-6	2 RG-6	
3 RG-6	3 RG-6	3 RG-6	3 RG-6	

Wiring a house for OpenHouse

The cables in an OpenHouse run from the various rooms of the house directly to the service center location. (This is known as 'home run' wiring.) Two types of wire are used for communication and entertainment: Cat-5, 4-UTP (4 Unshielded Twisted Pairs) wire handles data or 1 to 4 telephone lines. RG-6 coax handles television (antenna or cable), satellite dish, cable modem, or AV modulator signals. (An AV modulator creates new TV channels for front door camera, DVD player, a VCR or a satellite receiver.)

We recommend the following pre-wire schemes. Run these wires from the service center to the rooms indicated.



Linear LLC
 2055 Corte Del Nogal, Carlsbad, CA 92009, USA
 760-438-7000 800-999-5225 fax: 760-931-1340
www.openhousesystem.com
 © 2004 Linear LLC, Carlsbad, CA, USA

Warranty

Linear LLC warrants the OpenHouse Model H318/H336 to be free from defects in material and workmanship for 15 years. The time period will be measured using the date code labeled on the product. Linear LLC is not responsible for damage to the product resulting from the buyer's improper handling, stocking or warehousing of the product. Any implied warranty arising from the sale of the product including implied warranties of merchantability and fitness for purpose are limited. Linear LLC shall not be responsible for any losses, damages or expenses, whether direct, consequential, or incidental arising from the use or the inability to use the product. Some states and countries do not allow limitations on how long an implied warranty lasts or the exclusion or limitation of incidental or consequential damages, so the above exclusions may not apply. The Linear LLC warranty gives specific legal rights in addition to other rights, which may exist and vary from state to state and country to country. The warranty is limited to repair or replacement of products returned, freight prepaid, to Linear LLC, there is NO PROVISION FOR LABOR COST OR OTHER REIMBURSEMENTS OF ANY KIND.

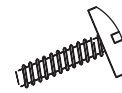
1. Failures due to product abuse, such as negligence, improper use, and electrical surge including damage from lightning, water damage or other damage due to natural disasters are not covered by the warranty. The most common form of product abuse is surge damage caused by lightning.
 2. The warranty shall also be voided by any tampering with the date code, labels or other markings on the product.
 3. Products that are damaged in transit to Linear LLC due to improper packaging or by the carrier (shipping company) will not be covered under the warranty. If the product was damaged or lost by the carrier, it is the sender's responsibility to create a claim against the carrier.
 4. The user is responsible for all labor costs associated with removing, reinstalling and returning the product to Linear LLC.
- Linear LLC, at its option, will repair or replace the defective product. Replacements will be made from B-Stock, if an exact replacement is not available, Linear LLC, at its option, will select the nearest equivalent product. The user is responsible for freight charges to Linear LLC. Linear LLC will return warranted repaired or replacements by UPS Ground or an equivalent service. A customer may pay the additional costs for second-day or next-day service. All products returned for warranty service require a Return Product Authorization Number (RPA#). Contact Linear Technical Services at 1-800-999-5225 for an RPA# and other important details.



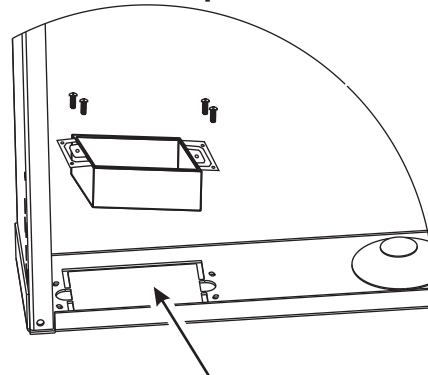
New features of the H318/H336

Compatible

New tri-thread cover mounting screws thread fast and securely.



Bottom knockout accepts standard J-box.



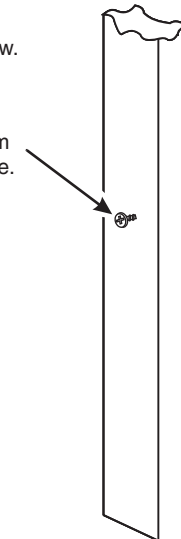
Remove rectangular knockout. Drop in J-box and attach with #6 sheet metal screws.

Quick, flexible mounting system

1

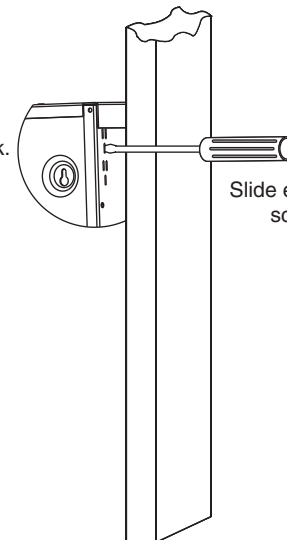
Install upper right screw. (#6 - #10)

Center screw on stud. Place screw 8 1/4" from desired top of enclosure.



2

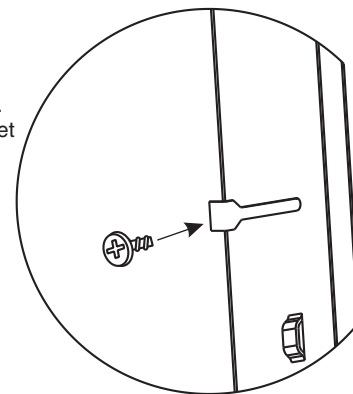
Slide enclosure on screw. Use screwdriver to select 3/8", 1/2", or 5/8" drywall setback. Tighten screw.



Slide enclosure on screw until screwdriver hits stud.

3

Install bottom right side screw. (Use screwdriver as above to set the depth of the enclosure.)



4

Install both left side screws. (Use screwdriver as above to set the depth of the enclosure.) The mount will flex to attach the enclosure to the stud without distorting the enclosure.

