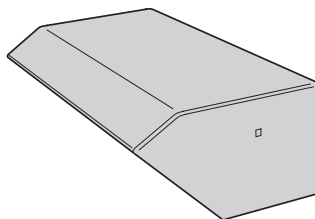


# AE-HOOD

## Conversion Kit



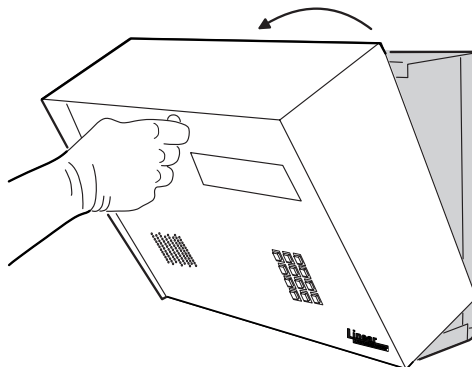
Installation Instructions

**Linear**

(760) 438-7000 • FAX (760) 438-7043  
 USA & Canada (800) 421-1587 & (800) 392-0123  
 Toll Free FAX (800) 466-1340  
 www.linearcorp.com

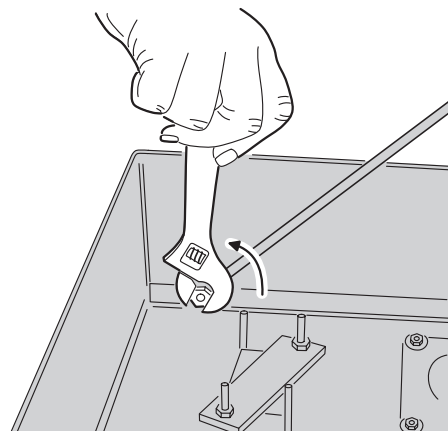
### 1. OPEN CABINET

UNLOCK CABINET  
AND LOWER FRONT  
PANEL



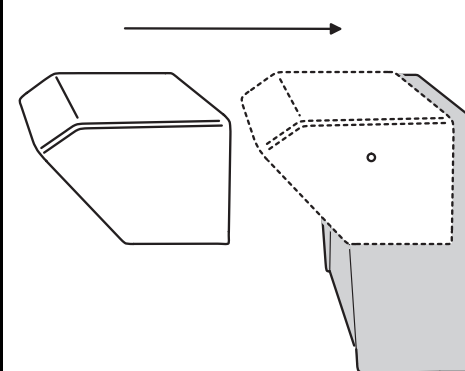
### 2. REMOVE BOLTS

LOOSEN AND REMOVE TWO TOP  
NUTS AND BOLTS ON BOTH SIDES  
OF CABINET



### 3. POSITION HOOD

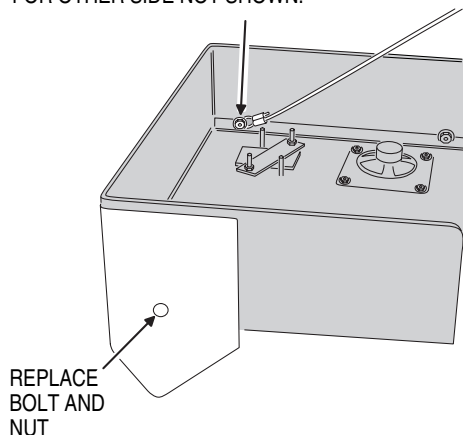
SLIDE HOOD OVER  
FRONT PANEL



### 4. INSTALL BOLTS

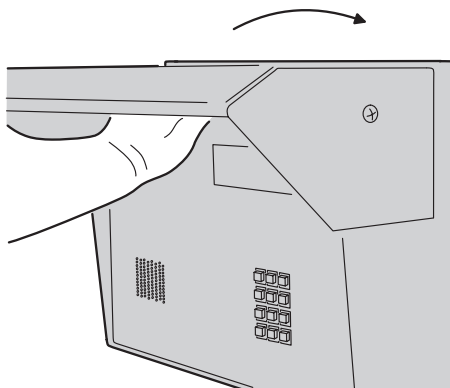
ALIGN HOLES IN HOOD  
WITH FRONT PANEL

USE NEW 1/4-20 X 3/4 SCREW FOR SIDE SHOWN.  
PLACE WASHER AND TETHER ON SCREW AND  
SECURE WITH NUT. USE EXISTING HARDWARE  
FOR OTHER SIDE NOT SHOWN.



### 5. CLOSE PANEL/TEST

CLOSE CABINET  
AND LOCK



**NOTE: THOROUGHLY TEST  
PANEL ACCORDING TO  
INSTALLATION MANUAL TO  
ENSURE UNIT IS WORKING  
PROPERLY**

### LINEAR LIMITED WARRANTY

This Linear product is warranted against defects in material and workmanship for twelve (12) months. The Warranty Expiration Date is labeled on the product. **This warranty extends only to wholesale customers** who buy direct from Linear or through Linear's normal distribution channels. **Linear does not warrant this product to consumers.** Consumers should inquire from their selling dealer as to the nature of the dealer's warranty, if any. **There are no obligations or liabilities on the part of Linear Corporation for consequential damages arising out of or in connection with use or performance of this product or other indirect damages with respect to loss of property, revenue, or profit, or cost of removal, installation, or reinstallation.** All implied warranties, including implied warranties for merchantability and implied warranties for fitness, are valid only until Warranty Expiration Date as labeled on the product. **This Linear Corporation Warranty is in lieu of all other warranties express or implied.**

All products returned for warranty service require a Return Product Authorization Number (RPA#). Contact Linear Technical Services at 1-800-421-1587 for an RPA# and other important details.

### IMPORTANT !!!

Linear radio controls provide a reliable communications link and fill an important need in portable wireless signaling. However, there are some limitations which must be observed.

- \* For U.S. installations only: The radios are required to comply with FCC Rules and Regulations as Part 15 devices. As such, they have limited transmitter power and therefore limited range.
- \* A receiver cannot respond to more than one transmitted signal at a time and may be blocked by radio signals that occur on or near their operating frequencies, regardless of code settings.
- \* Changes or modifications to the device may void FCC compliance.
- \* Infrequently used radio links should be tested regularly to protect against undetected interference or fault.
- \* A general knowledge of radio and its vagaries should be gained prior to acting as a wholesale distributor or dealer, and these facts should be communicated to the ultimate users.