

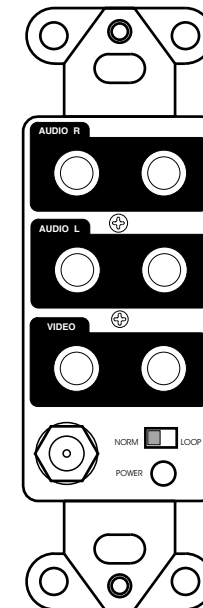
Warranty

Multiplex Technology, Inc., warrants this product to be free from defects in materials and workmanship for a period of one year from the date of purchase or MTI will repair or, at its option, replace the defective product. To obtain warranty service, call MTI for a Return Material Authorization (RMA) number and return the product pre-paid accompanied by a copy of the purchase receipt,

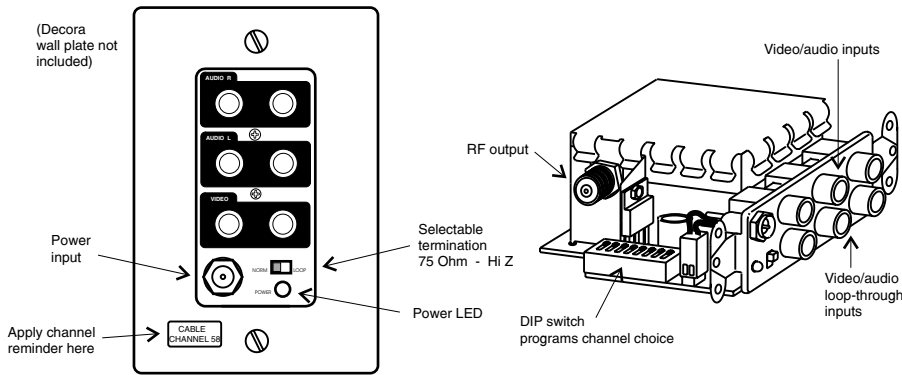
Attn: Customer Service. Please put the RMA number on the outside of the carton.

Any implied warranty arising from the sale of the product including implied warranties of merchantability and fitness for purpose are limited to the warranty stated above. MTI shall not be responsible for any loss, damages or expenses, whether direct, consequential, or incidental arising from the use or inability to use this product. Some states do not allow limitations on how long an implied warranty lasts or the exclusion or limitation or incidental or consequential damages, so the above limitations may not apply to you. This warranty gives you specific legal rights, and you may have other rights which vary from state to state.

Model 5114 In-wall Modulator Owner's Manual

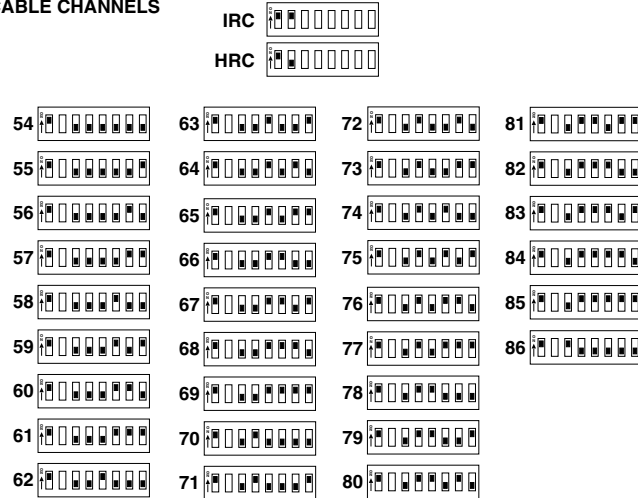


Model 5114

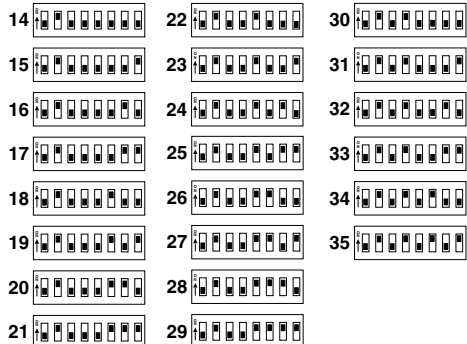


Channel Selector Guide

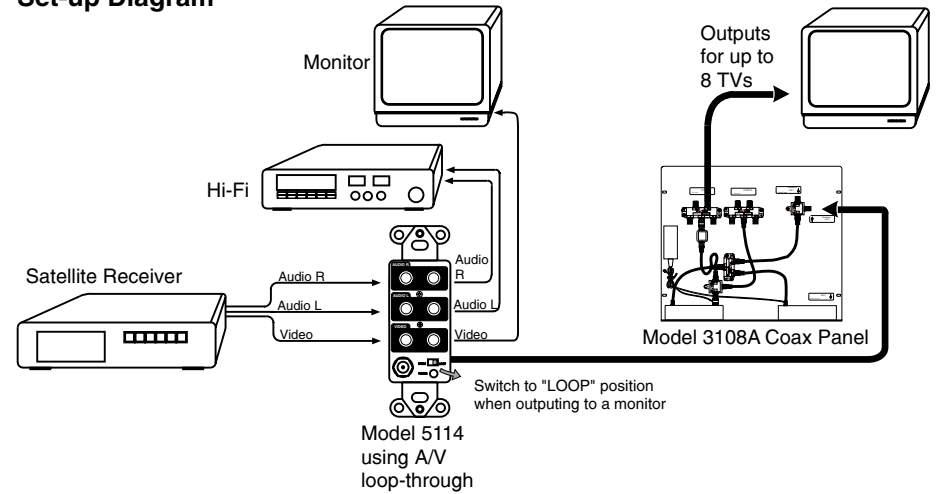
CABLE CHANNELS



UHF CHANNELS



Set-up Diagram



Specifications

Output Input	25 dBmV
Input connectors	Video: 1Vp-p @ 75 Ohm Format: NTSC
Loop-thru connectors	3 RCA (Video+Audio Left+Audio Right)
Video Termination	75 or > 1 M in "Loop" position (switch selectable)
Frequency Range	UHF: Channel 14 to 35 CATV: Channel 54 to 86
Frequency Stability	± 5 kHz
Temperature Operating Storage	0° C to 50° C -30° C to 50° C
Power Supply	Model 350-067 (included) Input: 120 VAC, 60 Hz Output: 12 VAC, 400 mA
Dimensions	3.75"(H) x 1.75"(W) x 3.00"(D)
Weight	1 lb
Shipping Weight	2 lbs