

# RS4000

## SWING GATE OPERATOR Class I Vehicular Swing Gate Operator

CUSTOMER \_\_\_\_\_

PROJECT \_\_\_\_\_

ARCHITECT/ENGINEER \_\_\_\_\_

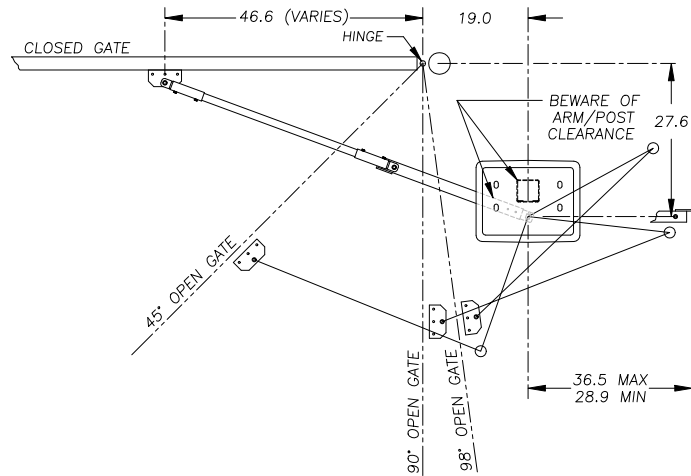
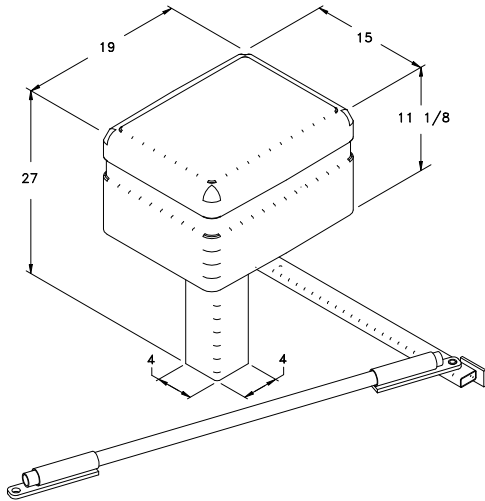
CONTRACTOR \_\_\_\_\_

DRAWING NUMBER \_\_\_\_\_

DATE \_\_\_\_\_

SHEET \_\_\_\_\_

OF \_\_\_\_\_



### ORDERING INFORMATION:

SUPPLY \_\_\_\_\_ ALLSTAR OPERATOR(S) MODEL **RS4000**

WITH A MOTOR RATING OF 1/2 HP, 115 VOLTS, 1-PHASE, 60 HERTZ

FOR A \_\_\_\_\_ WIDE \_\_\_\_\_ LB \_\_\_\_\_ TYPE GATES(S)

WITH \_\_\_\_\_

AUXILIARY AND OPTIONAL EQUIPMENT AS SPECIFIED BELOW OR ON ATTACHED SHEET:

### ARCHITECTURAL SPECIFICATIONS:

Electric gate operator(s) shall be model RS4000, manufactured by Linear LLC and Underwriters Laboratory Listed per UL 325 & 991, March 1<sup>st</sup>, 2000. Operator shall be protected from the environment by a rust free LLPE moulded one-piece cover, per UL standards. Operators shall be equipped with a belt/60:1 gear drive speed reduction system with an adjustable torque-limiter. Final drive shall use a Poly-Vee drive belt and shall drive the gate at a speed of approximately **7 seconds for a 90° opening**. A heavy-duty crank arm shall be included to connect the operator to the gate. The operator shall allow manual gate operation without keys or special tools if power is interrupted. The operator shall be equipped with an integral limit system that provides accurate settings to control the open and close positions of the gate and shall not be affected by manual operation or motor removal. The motor and operator shall be protected against overload by a thermal protector. Operators shall incorporate a duty solid state motor control system and a pre-wired CLASS II control circuit with provisions for connecting open-close-stop pushbutton stations, radio controls, and external obstruction sensing systems (contact and non-contact devices) and access control systems (loops, entry systems, phone systems). Operators shall have a 40 VA transformer to provide Class II power. The solid state motor controls shall incorporate the following: adjustable auto close timer; selectable control of additional operator (master/slave); self adjusting maximum run timer; slave mode operation.

### NOTES:

REFER TO PRODUCT DATA SHEET FOR GENERAL INFORMATION

REFER TO DRAWING \_\_\_\_\_ FOR WIRING DIAGRAM

**LINEAR LLC**  
1950 Camino Vida Roble Ste.150  
Carlsbad, CA 92008

Phone 800-421-1587  
Fax 800-468-1340  
Website [www.allstarcorp.com](http://www.allstarcorp.com)

## AUXILIARY AND OPTIONAL EQUIPMENT

CUSTOMER

PROJECT

ARCHITECT/ENGINEER

CONTRACTOR

DRAWING NUMBER

DATE

SHEET

OF

**LINEAR LLC**  
1950 Camino Vida Roble Ste.150  
Carlsbad, CA 92008

Phone 800-421-1587  
Fax 800-468-1340  
Website [www.allstarcorp.com](http://www.allstarcorp.com)

