

GS1000

SLIDE GATE OPERATOR

Heavy-Duty Commercial Operator for Class I, II, III & IV Installations

CUSTOMER _____

PROJECT _____

ARCHITECT/ENGINEER _____

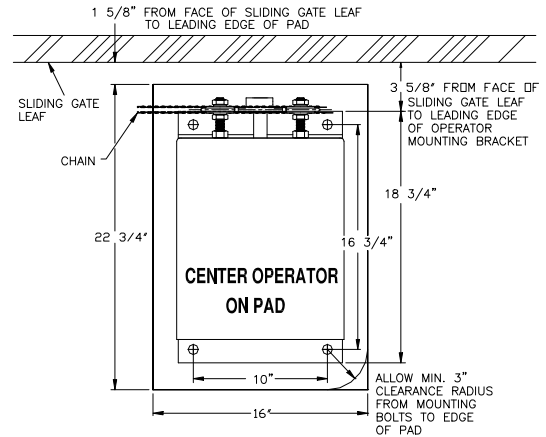
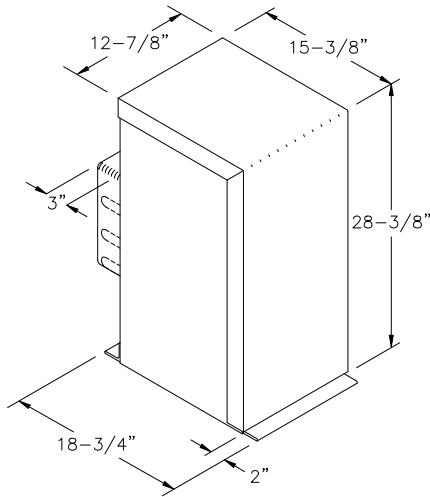
CONTRACTOR _____

DRAWING NUMBER _____

DATE _____

SHEET _____

OF _____



ORDERING INFORMATION:

SUPPLY _____ ALLSTAR OPERATOR(S) MODEL **GS1000** WITH NUMBER _____ DRIVE CHAIN WITH A MOTOR RATING OF 1/2 HP, 115 VOLTS, 1-PHASE, 60 HERTZ FOR A _____ WIDE _____ LB _____ TYPE GATES(S) WITH _____ AUXILIARY AND OPTIONAL EQUIPMENT AS SPECIFIED BELOW OR ON ATTACHED SHEET:

ARCHITECTURAL SPECIFICATIONS:

Electric gate operator(s) shall be model GS1000, manufactured by Linear LLC and Underwriters Laboratory Listed per UL 325 & 991, March 1st, 2000. Operator shall be protected from the environment by a steel frame and cover and finished to UL standards. A removable key lock cover shall provide access to the operator. Operators shall be equipped with a high efficiency timing belt drive/speed reduction system. Final drive shall use a number 40 or larger roller chain and shall drive the gate at a speed of approximately **12 inches per second**. The operator shall incorporate an electro-mechanical operator lock with a keyed disconnect for manual gate operation. The operator shall be equipped with an integral limit system that provides accurate settings to control the open and close positions of the gate and shall not be affected by manual operation or motor removal. The motor and operator shall be protected against overload by a thermal protector. Operators shall incorporate a heavy duty solid state motor control system and a pre-wired CLASS II control circuit with provisions for connecting open-close-stop pushbutton stations, radio controls, and external obstruction sensing systems (contact and non-contact devices) and access control systems (loops, entry systems, phone systems). Operators shall have a 40 VA transformer to provide Class II power. The solid state motor controls shall incorporate the following: adjustable auto close timer; independently adjustable open and close inherent anti-entrapment system; selectable control of additional operator (master/slave); right-hand/left-hand conversion; self adjusting maximum run timer; detected entrapment alarm; electronic motor braking, emergency pushbutton enabling which activates a pushbutton station when there is a detected entrapment; installation/test mode operation; diagnostic LED's; slave mode operation.

NOTES:

REFER TO PRODUCT DATA SHEET FOR GENERAL INFORMATION
REFER TO DRAWING _____ FOR WIRING DIAGRAM

LINEAR LLC
1950 Camino Vida Roble Ste. 150
Carlsbad, CA 92008

Phone 800-421-1587
Fax 800-468-1340
Website www.allstarcorp.com



AUXILIARY AND OPTIONAL EQUIPMENT

CUSTOMER

PROJECT

ARCHITECT/ENGINEER

CONTRACTOR

DRAWING NUMBER

DATE

SHEET

OF

LINEAR LLC
1950 Camino Vida Roble Ste. 150
Carlsbad, CA 92008

Phone 800-421-1587
Fax 800-468-1340
Website www.allstarcorp.com

