

Tips From Ozzie



**Linear/OSCO
Technical Support
Direct Line 1-800-333-2508**

Leave the Manual with the Operator!

Ozzie strongly recommends that you keep the original installation manual with the operator to help ensure correct service and parts ordering at a later date. Models evolve over time, and it is important that you reference the parts diagram included with the operator at the time of manufacture.

Document Serial Numbers

When servicing operators, always make it a habit to write down the model and serial number of the unit. It can be very important when ordering replacement parts if any changes have been made to the product over the years. This will help you get the correct part from the factory the first time! Documenting the serial number and model number on the customer's invoice is also a good idea, as it clarifies which unit you serviced and the added thoroughness shows professionalism which may help get the bill paid faster!

Testing Battery Back-up Functionality on DC Operators

The power switch on DC operators will completely cut power – AC and DC! In order to test the battery back-up functionality, you must disconnect AC power before the switch leaving the power switch in the ON position.

LA36 Information – Batteries Must be Installed

The LA36 operates from battery power at all times. The incoming 115VAC is only to charge the batteries. Therefore, the batteries must be installed prior to testing or operating these units.



OPENER FORUM



Published for the dealers and distributors of Linear/OSCO

Summer 2005

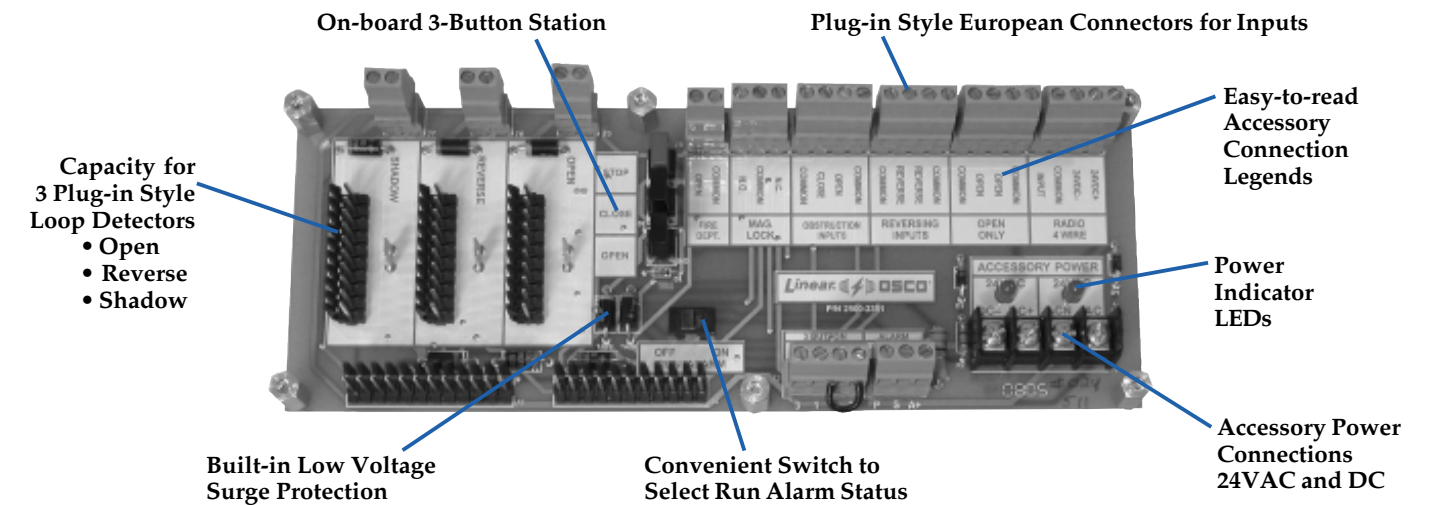
Connections Module Now Available in SL and SW Series

Simplify your next gate operator installation by using the new Linear/OSCO connections module. Introduced at FenceTech 2005, and now available as an option on SLC/SLR/SWC/SWR models. The connections module combines several key features in one simple connection point. It offers easy to read and understand terminal

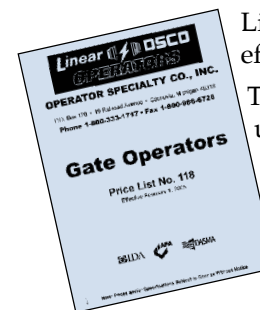
descriptions and European-style accessory connectors, and capability for three plug-in style loop detectors (eliminating the need for wiring harnesses). It includes built-in surge protection, on-board three-button station, and a convenient switch to select run alarm status. This new module replaces the existing terminal

strips, three-button station, external surge protector, and detector harnesses with a simple, convenient, and easy-to-use connection point.

To order your next operator with the connections module, contact your Linear/OSCO salesperson or use the part numbers (shown on page two) with your operator order.



Use the New Blue Pricebook!



Linear/OSCO published a new blue Pricebook #118 effective February 1, 2005.

To accurately calculate your pricing, be sure you are using the new blue gate operator pricebook #118, along with your new multiplier. This new multiplier was mailed to you in December of 2004. If you need additional copies of the pricebook, or did not receive a letter confirming your new multiplier, contact your Linear/OSCO sales representative.

In This Issue

SW Series Swing Gate Options	2
Linear/OSCO Technical Seminars	3
Plug-in Style Loop Detectors	3
Important Notes	3
Tips From Ozzie	4

PRST-STD
US POSTAGE
PAID
CASNOVIA, MI
PERMIT NO. 3

Linear/OSCO
Operator Specialty Company, Inc.
P.O. Box 128
Casnovia, MI 49318

SW Series Swing Gate Options – Pick the Package That’s Right for Your Installation

OSCO has a long tradition of meeting each customer’s unique need by designing operators to fit a wide variety of gate installations. Maintaining that tradition, OSCO has assembled a group of optional equipment to compliment the SW Series swing gate operators and customize them to meet your specific needs. These SW Series modifications are shown on the bottom of page 13 and 14 of the Gate Pricebook #118. To pick the options that are right for your installation, review the following:

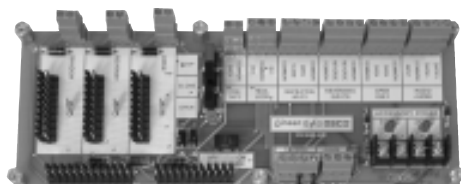
TORQUE LIMITERS

protect the operator drive mechanism against physical damage in the event the gate is obstructed during operation or forced open. Linear/OSCO recommends torque limiters on commercial installations where frequent public access creates conditions where gates are likely to be hit during operation or force opens are anticipated. It is important to note that torque limiters are never to be used as a secondary entrapment protection device to meet UL325 requirements on an OSCO operator. The intent of the torque limiter option is to protect the operator from damage – not to be an entrapment protection device. Two size options are available – 3.5” torque limiter for gates less than 300 lbs. and 9’ or 5” torque limiter for gates greater than 300 lbs. and 9’. Use the following part numbers to order these products as a factory-installed option:



- 2650-117 3.5” Torque Limiter for SWR/SWD models
- 2650-121 5” Torque Limiter for SWR/SWD models
- 2650-126 3.5” Torque Limiter for SWC 1/2HP model
- 2650-127 5” Torque Limiter for SWC 1/2HP model
- 2650-133 5” Torque Limiter for SWC 1HP model

CONNECTIONS MODULE



Use the following part numbers to order:

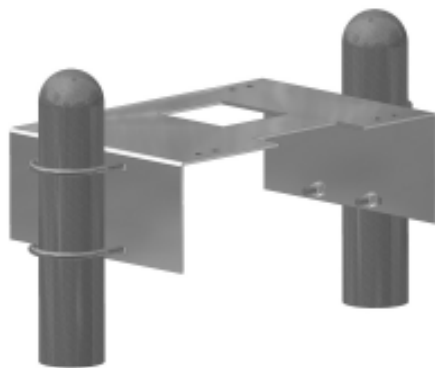
- | | List Price |
|--|------------|
| 2650-129 - to install in 115V SL Series | \$140.00 |
| 2650-131 - to install in 230V SL Series | \$140.00 |
| 2650-130 - to install in 115V SW Series | \$140.00 |
| 2650-132 - to install in 230V SW Series | \$140.00 |
| 2500-2351 - Connections Module (for replacement) | \$140.00 |

POST MOUNT KIT AND BASE PLATE

The SW Series operators are designed to be pad mounted. However, they can be post mounted using a post mounting kit which includes a U-shaped mounting plate and U-bolts as shown.

A base plate may also be used to seal the bottom of the unit in a post mount installation. The base plate is 16-gauge zinc-plated steel cut to the contour of the cover.

- 2120-483 Post Mount Kit
- 2100-2041 Base Plate for SW Series



HEATERS AND COLD WEATHER PACKAGES

keep the operator running smoothly in cold temperatures. Linear/OSCO recommends a heater or cold weather package on any operator subjected to prolonged exposure to below-freezing temperatures. Heaters use a thermostatically controlled heating element that keeps the inside of the operator cabinet warm. A cold weather package includes a heater, Arctic oil in the gear box, and a cogged V-belt that maintains greater flexibility in cold temperatures.

- 2500-2116 Heater only (115V)
- 2500-2117 Heater only (230V)
- 2650-111 Cold Weather Package (115V)
- 2650-112 Cold Weather Package (230V)

A LOW VOLTAGE SURGE SUPPRESSOR

is an easily replaceable module that protects the inputs from high voltage surges and proximal lightening strikes. Units purchased with this surge protection module qualify for a two-year warranty against surges on the low voltage inputs and lightening strikes

- 2500-2207 Low Voltage Surge Suppressor

COVER COLOR OPTIONS AVAILABLE

Don’t forget that you have the option of choosing a tan or black colored cover at the standard price. Or you can step up to the granite colored cover for a small up-charge.



Linear/OSCO Technical Seminars

Linear/OSCO held two consecutive seminars the week of March 8-11, 2005. Response from those attending was very positive.

Subjects covered were basic electricity, equipment application, troubleshooting operators, access control devices, ASTM F2200, UL325, and the latest in safety standards for both door and gate operators, as well as a question and answer session.

Linear/OSCO is overall committed to providing annual technical seminars to our customers. If you are interested in attending a future Linear/OSCO technical seminar please contact Cheryl at 1-800-333-1717.

The professionalism of presenters was excellent but not stuffy. This is one of the best learning experiences I have had. Thanks!

~ Seminar Attendee



SCREENING SLIDE GATES

All openings shall be designed, guarded or screened from the bottom of the gate to a minimum of 48” above grade to prevent a 2 1/4” diameter sphere from passing through the openings anywhere in the gate, and in that portion of the adjacent fence that the gate covers in the open position.



REMEMBER: 7 FEET! All access control devices are to be placed at least seven (7) feet from any position through which the gate may travel.



COVERS FOR CANTILEVER GATE ROLLERS ASTM F2200 requires that all exposed rollers are covered! Safety-conscious dealers recognize the need for roller guards and always insist on their installation.



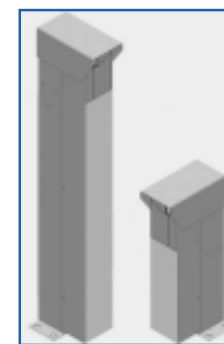
Participants of OSCO’s March 8-9 Technical Seminar included the following companies (in no particular order): Barcol Door - Cleveland, OH; Master Halco - West Chicago, IL; DAKM - Fort Worth, TX; Perimeter Protection Products - Blacklick, OH; Town & Country Fence - Brooklyn Park, MN; Acute Fence Co. - Columbia City, IN; Jamieson Fence Supply - Brooklyn Park, MN; Quality Fence - Terre Haute, IN; Van’t Hof Door & Gate Systems - Grand Rapids, MI; Cedar Springs Fence - Cedar Springs, MI; Justice Fence - Battle Creek, MI; DeWitt Fence - Lansing, MI; Cutting Edge Fence - Muncie, IN; American Fence - Chippewa Falls and Neenah, WI; Iron Innovations - Clinton, MS.



Participants of OSCO’s March 10-11 Technical Seminar included the following companies (in no particular order): South Lyon Fence - New Hudson, MI; Barcol Door - Cleveland, OH; Superior Fence - Cottage Hills, IL; Hitchens Fence - Willow Street, PA; Garage Doors of Indianapolis - Indianapolis, IN; Fence Masters - Chicago Hts., IL; GateKeepers - Soddy-Daisy, TN; American Fence Erectors - Grandville, MI; Allied Fence - Dayton, OH; Cadillac Garage Door - Cadillac, MI; Reliable Door & Gate - Muskegon, MI; Michigan Fence - Flint, MI; Rammer Fence - Oshkosh, WI; Truster Buildings & Fence - Manilla, IN.

Please Note

Photo eye pedestals pricing error on page 19 in the first printing of blue Gate Pricebook #118.



Note: List price for both colors is \$285.00

- 2120-478-YS
- 2120-478-BT

Plug-in Style Loop Detector



For Connections Board

Part Number 2500-2346

List Price \$180.00