

## Catalog Update

### ***New OpenHouse catalogs available now!***

The catalog includes new products such as the new enclosures, H460 Music Distribution Hub, H650 Integrated Voice Network, and a new locking kit for the enclosures.

### ***ChannelPlus 2001 catalogs available June 1.***

The 2001 ChannelPlus catalog will include all of the new DA series of amplifiers and a new data router switcher hub to be introduced in July. Stay tuned for more details on the data switch in the June newsletter.

## New Free Shipping Policy for OpenHouse!

You asked for it, you got it. A new shipping policy went into effect for OpenHouse enclosures. An addendum, dated May 1, 2001, was released with pricing for the new OpenHouse enclosures as well as a new shipping policy. If you didn't receive one, please contact your local sales representative.

## Looking for Sales in all the right places?

As the demand for sophisticated technologies in our schools increases so does the demand for professional installers. Retrofitting schools is a booming market. Today's classrooms usually have at least one TV and many are opting for more than one. If you have every thought about entering the

market but were unsure of how to layout a system, then you need to check out our diagram in the tech tip section. Remember, technical assistance is always available to you toll free at 800-999-5225 M-F 8am-5pm PST.

## Need a replacement for the ChannelPlus DA-1000?

Try using 2 DA-500As instead. See our Tech Tip on page 4 for details.

## Product News

### ***New This Month*** **ChannelPlus DA-506BID**



ChannelPlus introduces another addition to its popular line of quality amplifiers. The DA-506BID *distribution panel*, with 1 in and 6 out, easily expands to fit most residential installations.

- Bi-directional, 5-42MHz return path
- 1 input to 6 TVs
- 4 outputs to 75' away
- 2 outputs to 150' away

### ***New Last Month***

### **ChannelPlus DA-500A**



ChannelPlus DA-500A has an updated look that runs cooler and

has more EMI rejection. It replaces the popular DA-500.

- 18dB of gain with one in, one out
- New power supply that is more robust and reliable

### **ChannelPlus DA520A**

- Bi-directional amplifier
- 20dB of forward and 0dB of reverse gain

### ***Coming in July***

**ChannelPlus 8157** Data Router Switcher Hub (details to follow in June newsletter)

### ***New This Month***

### **OpenHouse enclosures get a new look, new packaging and a new lock.**

OpenHouse continues in the MTI tradition of constantly improving their products, by making subtle changes to the design and versatility of their enclosures. These new products are in stock and available for shipping!

### **H218A 18" Enclosure H236A 36" Enclosure**



Tabs, located on the sides of the enclosures, are now adjustable to facilitate easier installation in a variety of dry wall thicknesses. Other features of the enclosures remain the same.

## HC18A 18" Enclosure HC36A 36" Enclosure



Covers are no longer packaged with enclosures but sold and packaged separately. Not every installation needs a cover; packaging the covers separately provides customers with maximum versatility.

## H208 Optional Lock Kit



Do you ever wish you could keep curious hands out of the enclosure? OpenHouse has introduced an optional lock kit that allows you to do just that. The lock kit installs easily and works on both enclosures.

## New Last Month

### OpenHouse H619



OpenHouse now has a versatile phone interface module utilizing the RJ45 interface jack.

- RJ-45 Telephone interface hub (4lines x 12 telephones)
- 110 punch-downs
- 12 RJ-45 connectors for output.

## Coming in July

### OpenHouse H460 Music

Distribution Hub

### OpenHouse H650 Integrated

Voice Network

## Product Update

Discontinued/Replacement Products

Discontinued Product	Replacement Product	Date Available
DA500	DA500A	In stock
DA510	TBA	TBA
DA520	DA520A	In stock
DA512	TBA	TBA
DA1000	DA1000A or 2 DA-500A	TBA DA-500A In stock
3116	TBA	TBA
1538	DA506BID	In stock
5114	5415	In stock
5116	5415	In stock
5214	5415	In stock
5216	5415	In stock
5314	5415	In stock
5316	5415	In stock
2600 series	TBA	TBA
9500cat-cam	NONE	NONE

## International / Export News



### In stock & available now

#### ChannelPlus DA-500AEXP (NPS)

- Replaces the DA-500EXP or DA-500NPS



### -In stock & available now!

#### H291UK

4-outlet AC accessory

## Product Update

Discontinued/Replacement Products

Discontinued Product	Replacement Product	Date Available
5114PAL	5415PAL	Current
5116PAL	5415PAL	Current
5214PAL	5415PAL	Current
5216PAL	5415PAL	Current
5314PAL	5415PAL	Current
5316PAL	5415PAL	Current
DA-1002	DA-1002A Or 2 DA-500A	TBA DA-500A In stock
DA-502	DA-500A NPS	Current
3116EXP	TBA	TBA
1548 series	DA-506BID NPS	Q2

## Trainings & Tradeshows

This year factory training will be available in two locations. Hope to see you there!

\*May 23<sup>rd</sup> Atlanta, GA

\*June 8<sup>th</sup> Brea, CA

July 18<sup>th</sup> Atlanta, GA

Training is for one day and includes lunch. Topics covered include RF basic design, trouble-shooting and structured wire basics. For information on the classes please visit [www.ChannelPlus.com](http://www.ChannelPlus.com)

\*Note the locations and dates have changed since the last newsletter.

### CEDIA Regionals

May 6 & 7 Stamford, CT

June 9-11 Niagara Falls-Canada

### Tradeshows

*Interested in going to the show but need a pass???*

We have a limited number of passes; please give us a call if

you would like to attend or have a customer you would like to invite.

PCBC July 25-27 San Francisco  
CEDIA Sept 7-9

International CEDIA EXPOS  
May 9, GoldCoast, Australia  
May 20, Brighton, UK

## Success Stories!

CEDIA EXPOS

### International **CEDIA Italy**

The first CEDIA Expo held in Italy was a huge success with over 500 people in attendance. Zailyn Prada, MTI corporate trainer, gave two trainings with the aid of an interpreter and an Italian PowerPoint presentation. The European market is growing and we are excited to be part of it.

We would like to offer a special thanks to Sanino Vaturi, president of Definitive Audio, and to everyone else from Definitive for including us in their booth and for the friendship and assistance they provided us. Thank you



Definitive Audio Booth  
CEDIA-Italy



Definitive Audio Booth  
CEDIA-Italy



## Letters to Larry

### ***Humming Surround Sound***

**Dear Larry,**

I am using a standard ChannelPlus DA-550HHR amplifier for video distribution in a home environment. I have 1 input coming directly from the local cable service and 5 outputs going to various TV's throughout the home. One of the TV's has a surround sound system and a DSS receiver connected to it. I

connected the output of the DA-550 into one of the alternate coax inputs on the TV. However, I noticed that when I do this I get a "hum" when the surround system is active, regardless of the source.

Disconnecting the DA-550 output eliminates the hum, but I am curious as to why this is happening. I would like to have it connected as the cable provides local channels that I do not receive over the DSS. Any clues?

**Dear Installer,**

The incoming cable and your audio system are creating a ground loop. I suggest that you purchase a groundbreaker from the Xantech Company. Install it to the coax line between the incoming cable/CATV

and the antenna input. This should solve your problem.

### ***Bad UHF Reception***

**Dear Larry,**

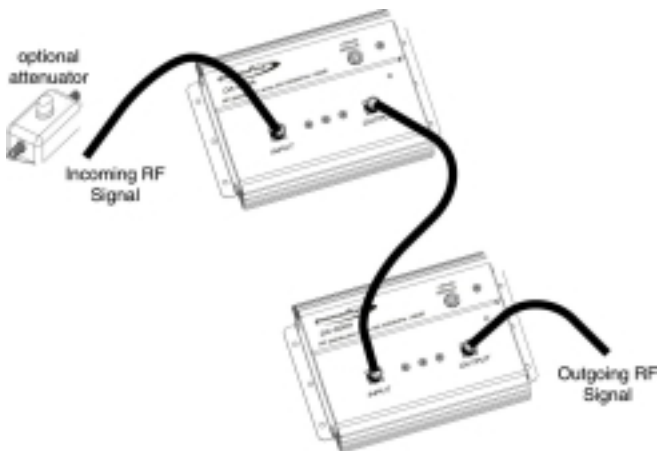
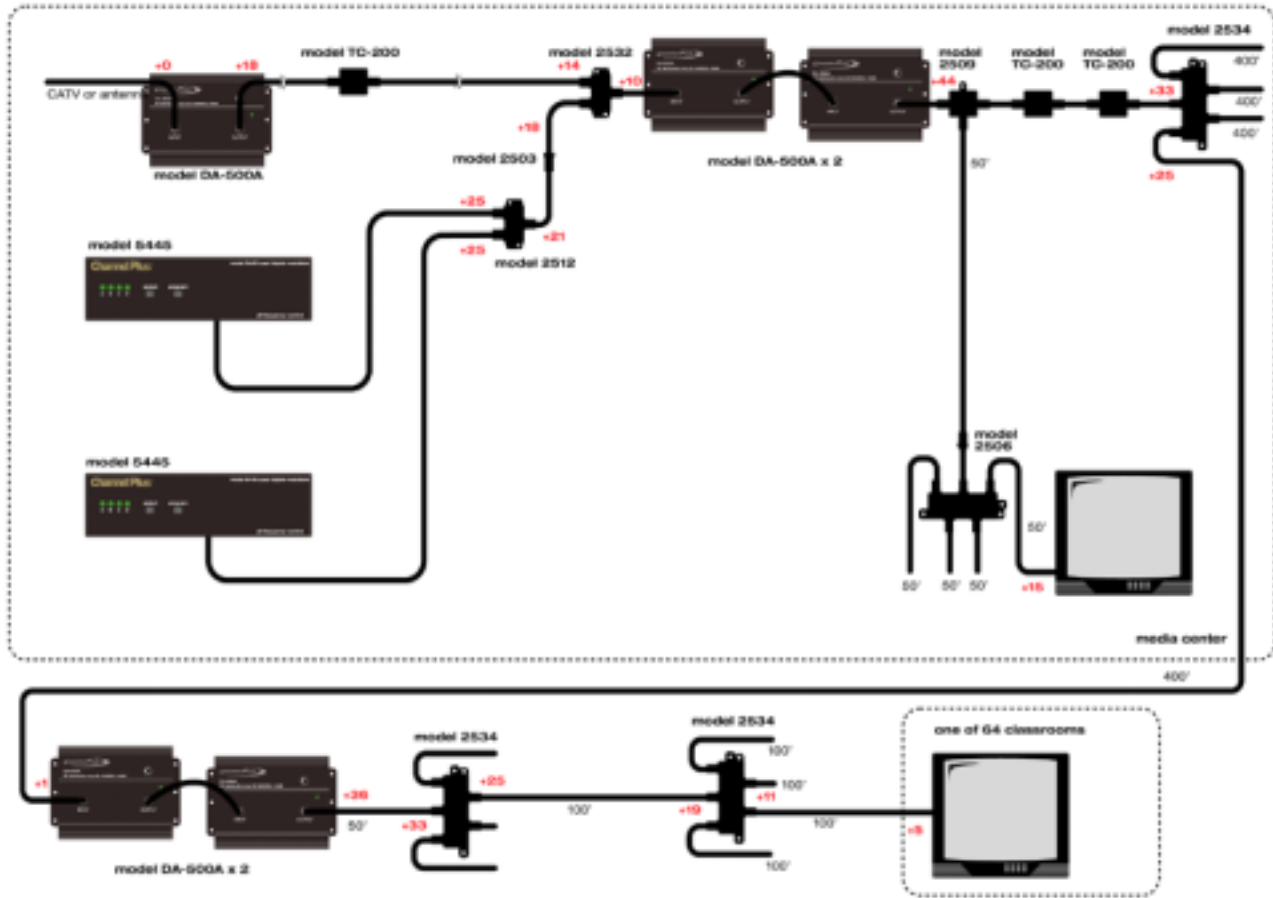
I purchased a ChannelPlus 3025 "All-In-One" to distribute cable and a DSS receiver to two TVs. We are remodeling our basement and ran RG-6 from the distribution closet, located in the basement, to the remote locations before the drywall went up. After hooking up the 3025 all of the UHF stations showed a dramatic increase in the amount of noise and the picture became very snowy. I tried hooking up a standard 10dB RF amplifier between the antenna and the 3025 but it didn't make any difference. The two in-house channels, 60 & 64, get beautiful reception from the DSS receiver. Any suggestions as to how the UHF channel reception can be improved?

**Dear Installer,**

Sometimes interference appearing on UHF stations occurs if there is a local FM station broadcasting a strong signal. The signal creates a problem with the TV's AGC circuits. Try purchasing an FM trap from your local electronics store and installing it to the coax between the incoming antenna signal and the antenna input at the distribution panel.

*Letters to Larry is taken from actual letters we receive on our web site. If you have technical questions please contact us at [info@channelplus.com](mailto:info@channelplus.com) or call our technical support line toll free at 800-999-5225 M-F 8am-5pm(PST).*

Tech Tip Video Distribution to Mutiple TVs in a School



**Close up details when using multiple DA-500As.**

*Two DA-500A s can be used to replace a DA-1000. The gain and headroom will be the same.*

*If you need to pad the input, a variable 0-20dB attenuator is available at many electronics distributors. Use the variable attenuator to determine the correct attenuation value and then replace it with a fixed value attenuator ( so curious hands can't easily change your system).*