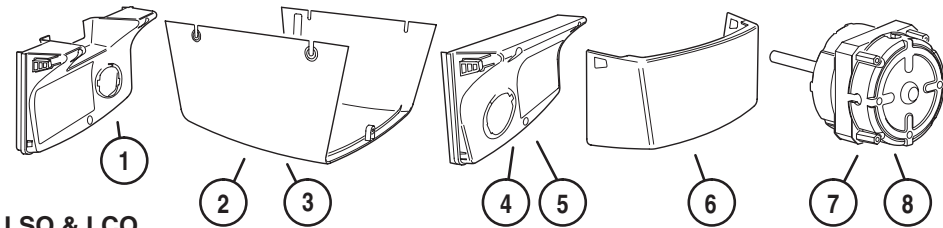
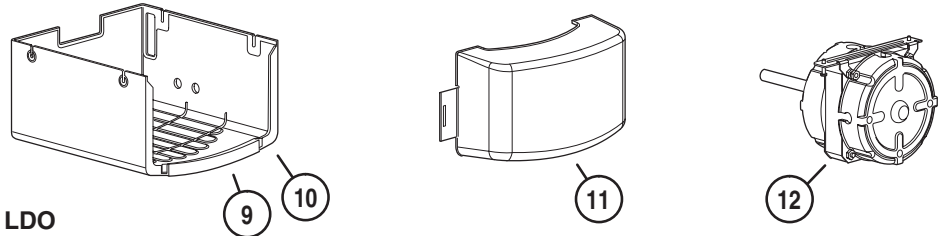


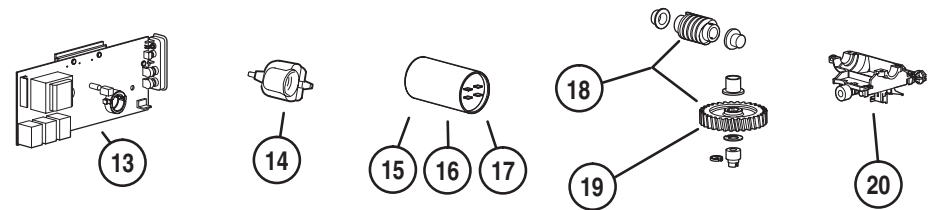
OPERATOR HEAD PARTS



LSO & LCO

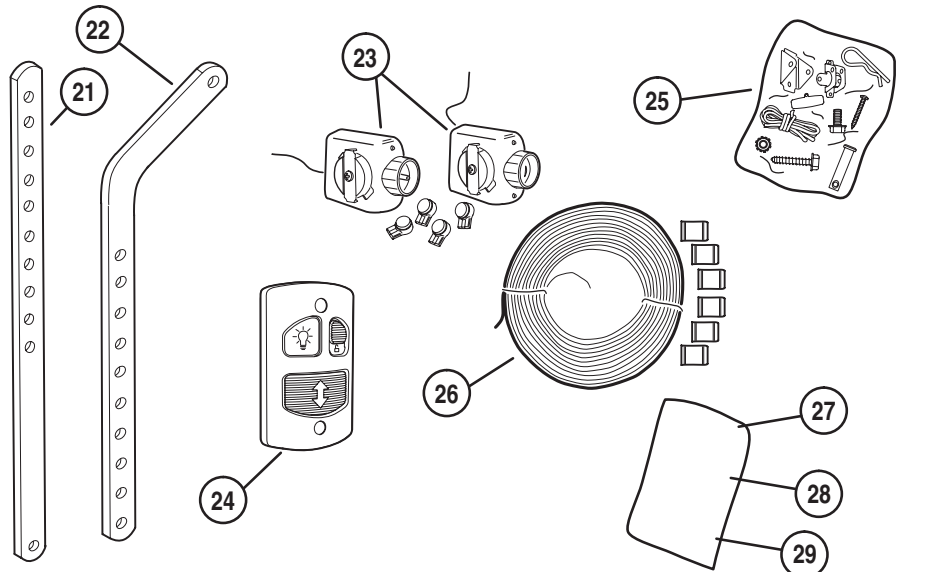


LDO



LSO, LDO, & LCO

MISCELLANEOUS OPERATOR PARTS



LSO, LDO, & LCO

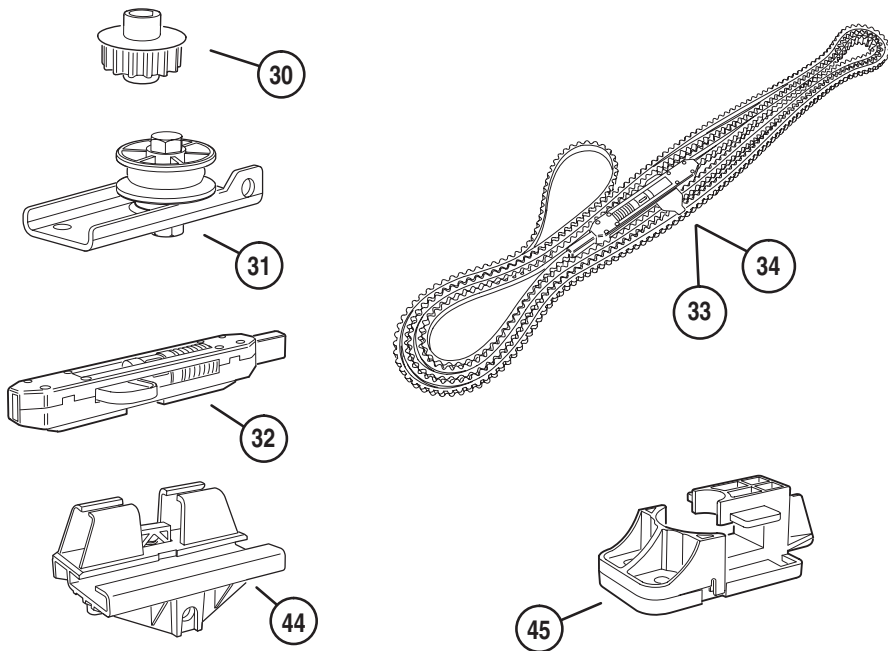
Linear
Building On Innovation.

**GARAGE DOOR OPERATOR
REPLACEMENT PARTS LIST**

**LSO
LDO
LCO
HCT
HBT
HCI**

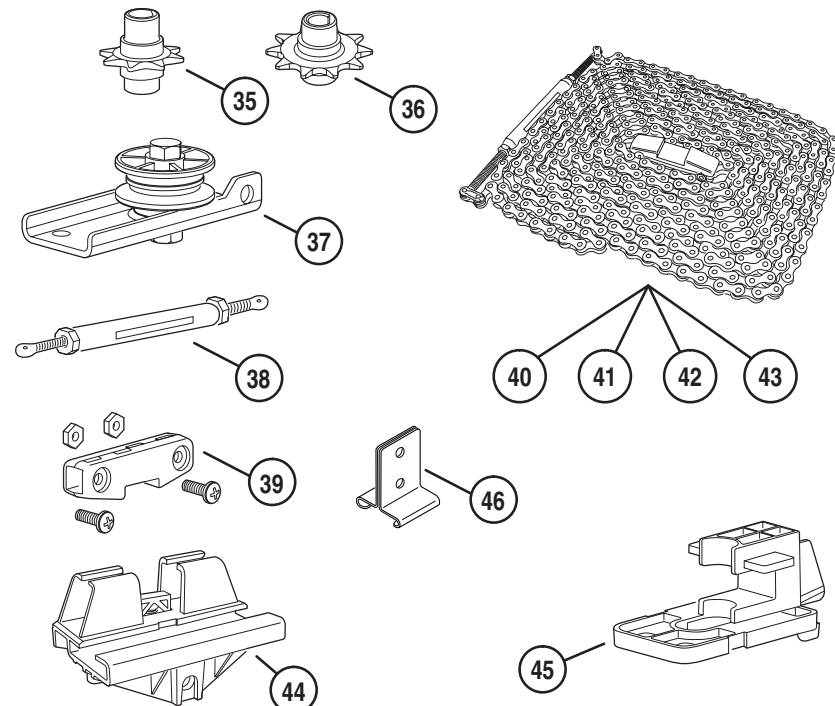
| ITEM # | REPLACEMENT PART | PART # |
|--------|---|-----------|
| 1 | REAR LSO& LCO END COVER (WITH LABELS) | HAE00041 |
| 2 | MAIN LSO COVER (WITH LABELS) | HAE00026 |
| 3 | MAIN LCO COVER (WITH LABELS) | HAE00042 |
| 4 | FRONT LSO COVER (WITH LABELS) | HAE00028 |
| 5 | FRONT LCO COVER (WITH LABELS) | HAE00043 |
| 6 | LSO & LCO LENS COVER (FITS BOTH ENDS) | 220918 |
| 7 | LSO MOTOR | 220919 |
| 8 | LCO MOTOR | 227645 |
| 9 | 1/3 HP LDO COVER (WITH LABELS) | HAE00011 |
| 10 | 1/2 HP LDO COVER (WITH LABELS) | HAE00012 |
| 11 | LENS COVER | 217645 |
| 12 | LDO MOTOR | 217881 |
| 13 | CONTROL BOARD (LOGIC/RECEIVER/TORQUE) | HAE00040 |
| 14 | LAMP SOCKET ASSEMBLY | 218014-02 |
| 15 | 1/3HP CAPACITOR (43-53 MFD) <i>FOR LDO33 ONLY</i> | 219109 |
| 16 | 1/2HP CAPACITOR (53-64 MFD) <i>FOR LDO50 ONLY</i> | 219110 |
| 17 | 3/4HP CAPACITOR (65 MFD) <i>FOR LCO75 ONLY</i> | 232168 |
| 18 | HELICAL AND WORM GEARS (WITH GREASE) | HAE00047 |
| 19 | HELICAL GEAR (WITH GREASE) | HAE00048 |
| 20 | LIMIT SWITCH ASSEMBLY | HAE00004 |
| 21 | DOOR ARM - STRAIGHT | 227966 |
| 22 | DOOR ARM - BENT | 227967 |
| 23 | SAFETY BEAM SENDER & RECEIVER (WITH WIRE) | HAE00002 |
| 24 | WALL STATION | HAE00001 |
| 25 | COMPLETE HARDWARE KIT | 220205-02 |
| 26 | WIRE KIT (15 SETS OF WIRE AND CLIPS) | HAE00044 |
| 27 | LDO INSTRUCTIONS AND LABELS | HAE00030 |
| 28 | LSO INSTRUCTIONS AND LABELS | HAE00031 |
| 29 | LCO INSTRUCTIONS AND LABELS | HAE00045 |

OPERATOR RAIL PARTS



HBT BELT DRIVE RAILS

HCT and HCI CHAIN DRIVE RAILS



Linear
Building On Innovation.

GARAGE DOOR OPERATOR REPLACEMENT PARTS LIST

LSO
LDO
LCO
HCT
HBT
HCI

| ITEM # | REPLACEMENT PART | PART # |
|--------|--|-----------|
| 30 | HBT DRIVE SPROCKET | 220499 |
| 31 | HBT PULLEY AND BRACKET | 218954-03 |
| 32 | HBT INNER SLIDE ASSEMBLY | HAE00022 |
| 33 | 7 FOOT BELT ASSEMBLY | HAE00023 |
| 34 | 8 FOOT BELT ASSEMBLY | HAE00033 |
| 35 | HCT DRIVE SPROCKET | 217436 |
| 36 | HCI DRIVE SPROCKET | 227653 |
| 37 | HCT PULLEY AND BRACKET | HAE00014 |
| 38 | HCT TURNBUCKLE ASSEMBLY | HAE00013 |
| 39 | HCT INNER SLIDE ASSEMBLY | HAE00018 |
| 40 | 7 FOOT CHAIN ASSEMBLY | HAE00015 |
| 41 | 8 FOOT CHAIN ASSEMBLY | HAE00032 |
| 42 | 10 FOOT CHAIN ASSEMBLY | HAE00017 |
| 43 | 12 FOOT CHAIN ASSEMBLY | HAE00046 |
| 44 | TROLLEY ASSEMBLY | 218189-01 |
| 45 | DRIVE SPROCKET HOLDER AND BELT CLAMP <i>BELT CLAMP FOR USE ON HBT BELT RAILS ONLY</i> | HAE00049 |
| 46 | CENTER SUPPORT BRACKET | CSB |