

CENTRAL VACUUM UTILITY INLET PORT ADAPTER

Some early models of Linear's AVP and AVR Series AirVac Central Vacuum Power Units require the use of a Utility Inlet Port Adapter. The adapter (part number 227586) connects between the central vacuum hose and the power unit's utility inlet port.

This adapter is not required for newer models of the AVP and AVR series units.

If the hose does not fit smoothly into the utility port on the central vacuum, refer to the following illustrations for using the adapter. Remove the adapter after vacuuming.

This adapter will be included in new stock of the VMGAR tool kit. To obtain this adapter, contact the Linear Technical Services Department at:

1-800-421-1587

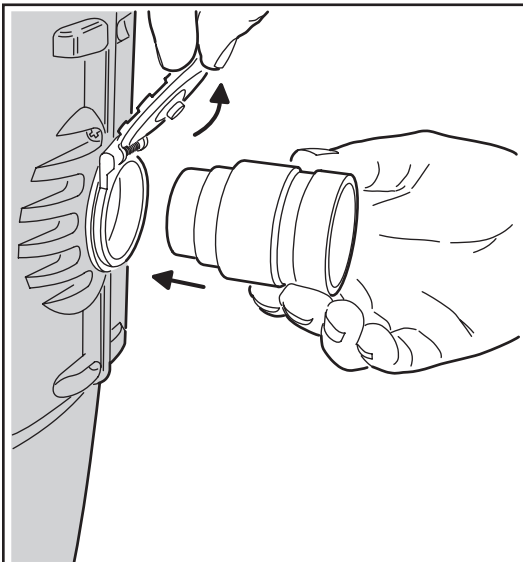


Figure 1. Insert Adapter

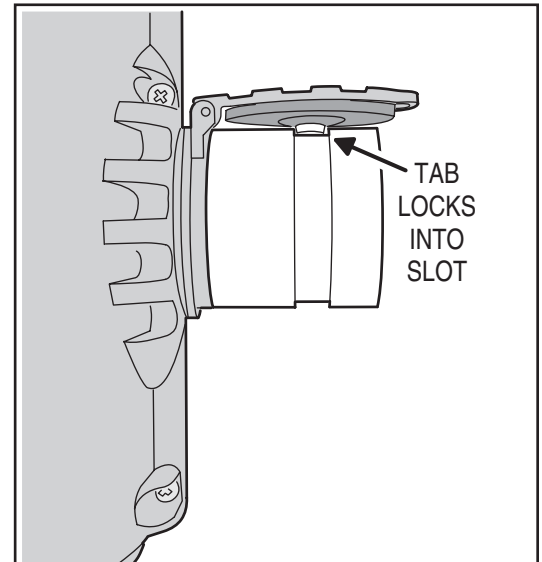


Figure 2. Lock Adapter In

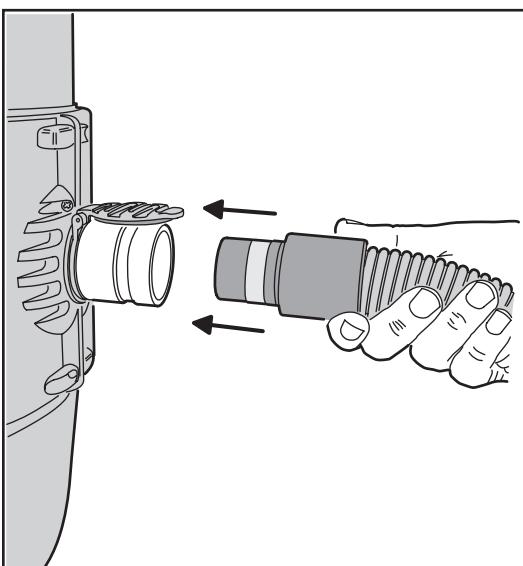


Figure 3. Insert Hose

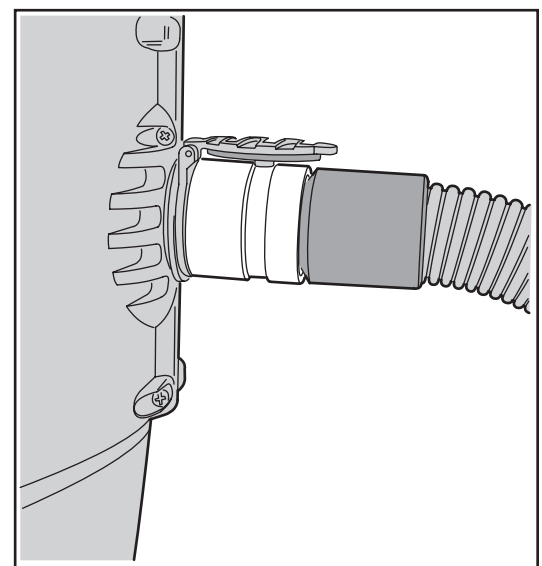


Figure 4. Ready to Vacuum