

## FMC8 AND NR8M SPEAKER WIRING

The Model FMC8 and NR8M Ceiling Intercom Speakers are now being supplied with blue and violet hook-up wires soldered to the speaker terminals. The violet wire is soldered to the negative speaker terminal. The blue wire is soldered to the positive speaker terminal.

When connecting speakers to a Model MVC1 Monaural Volume Control or to a Model SVC96 Stereo Volume Control using Model MS2SX5SC Shielded Speaker Cable match the wire colors: **violet-to-violet, blue-to-blue.**

Some M&S Systems instructions refer to red and black speaker hook-up wires. The FMC8/NR8M speaker instructions are accurate regarding connecting violet-to-black and blue-to-red wires. Other instructions (DMC1 Finish-out & MC960PA Finish-out) state the opposite. **Either wiring method can be used as long as all speakers in the same system are wired using the same method.**

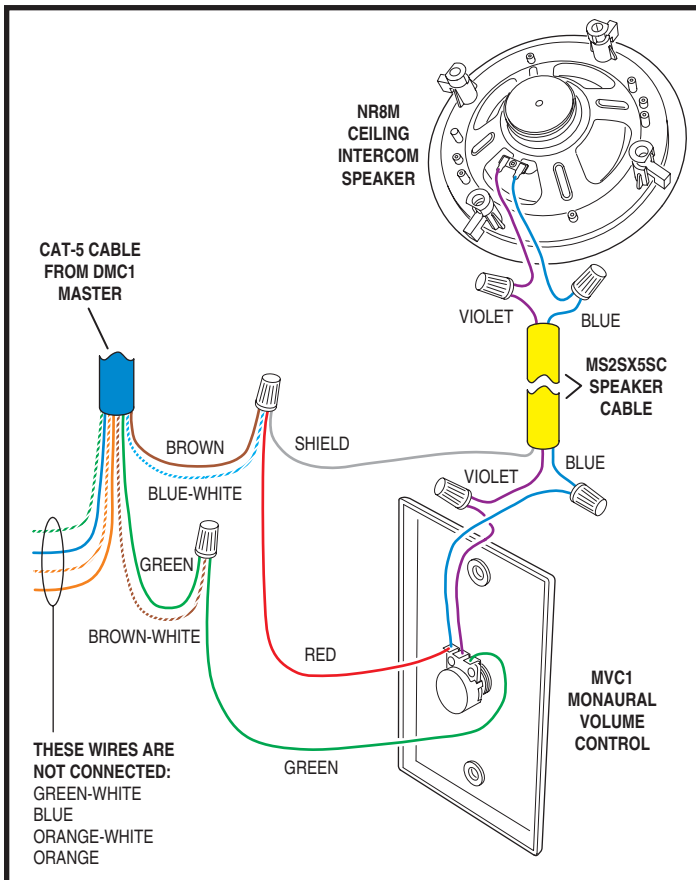


Figure 1. Monaural Speaker Wiring

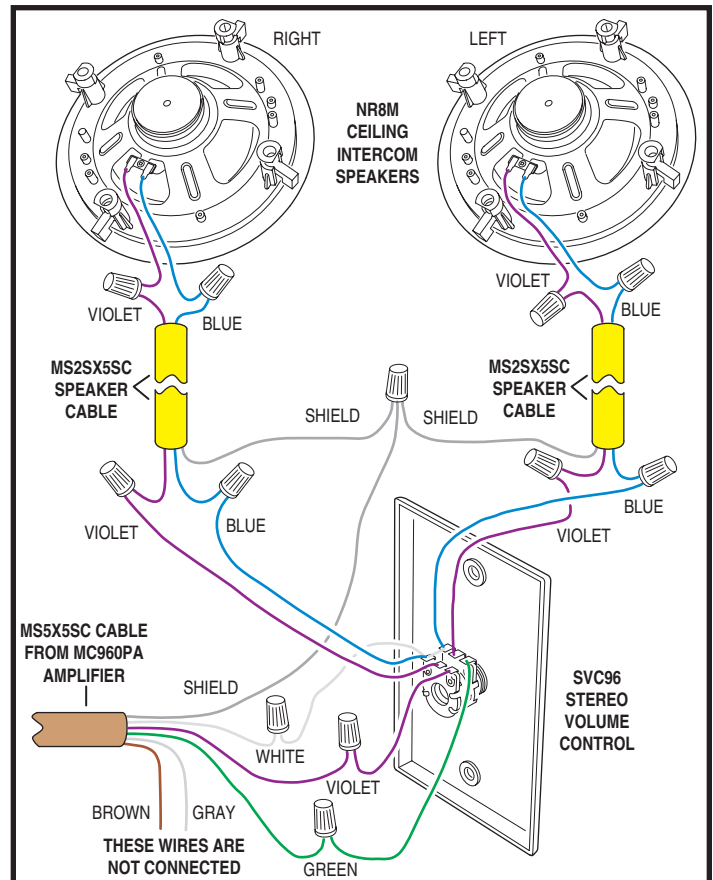


Figure 2. Stereo Speaker Wiring